



810 WEST WASHINGTON BOULEVARD
CHICAGO, IL 60607

8566 KRUM AVENUE
GALESBURG, MI 49053

KALAMAZOOGOURMET.COM
+1.800.868.1699

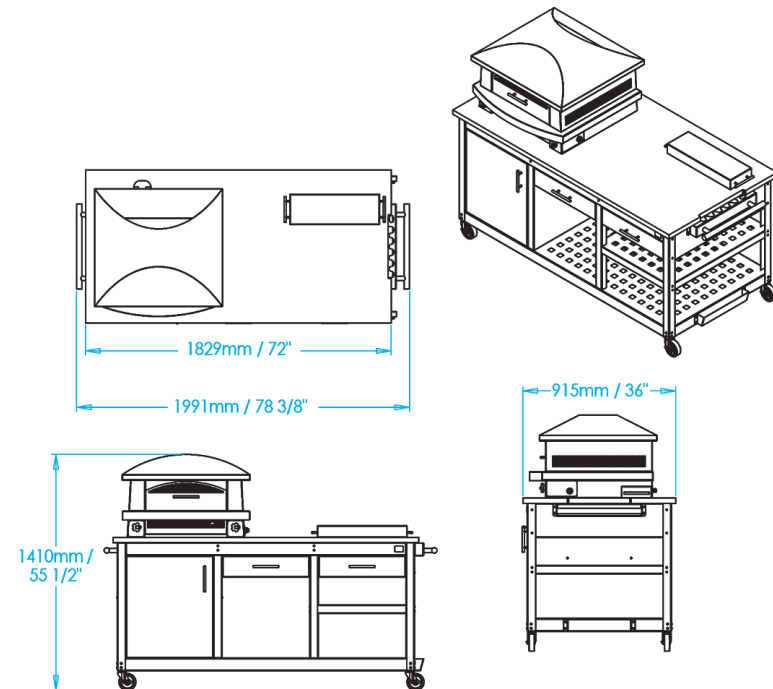
Artisan Fire Pizza Oven Station

Overall Width	78 3/8 in (1991 mm)
Overall Depth	36 in (915 mm)
Overall Height	55 1/2 in (1410 mm)
Approximate Product Weight	250 lb (113.4 kg)



PRODUCT FEATURES

- Custom designed for the Artisan Fire Pizza Oven Countertop model
- Ample countertop space for prep, storage and pizza making
- Bins and ice reservoir built into the countertop to store toppings and keep them chilled
- Ventilated cabinet for discreet liquid propane storage
- Two full-extension stainless steel drawers
- Open shelving for additional storage
- Tool rack to store pizza peels and cleaning brush
- Stainless steel bar handles can be used as towel racks
- Does not include pizza oven or countertop. We will provide detailed countertop dimensions for your fabricator.
- Built from durable, heavy duty 304 stainless steel
- Available in marine-grade stainless steel
- Handcrafted with pride in Kalamazoo, Michigan



WARNING: This product can expose you to chemicals including nickel, which are known to the State of California to cause cancer, and lead, which is known to the State of California to cause birth defects or other reproductive harm. For more information go to www.P65Warningsca.gov