



810 WEST WASHINGTON BOULEVARD
CHICAGO, IL 60607

8566 KRUM AVENUE
GALESBURG, MI 49053

KALAMAZOOGOURMET.COM
+1.800.868.1699

K750HB Hybrid Fire Built-In Grill



PRODUCT FEATURES

- 33" x 22" (726 square inches) of primary grilling surface
- Three cast stainless steel Dragon Burners™, 26,500 BTUs each (LP)
- Natural gas or bulk liquid propane
- Barbecue burner for indirect, low-temperature cooking
- Rotisserie system with infrared burner; motor mounted in cabinet; flip-up warming rack
- Safety valves for every burner and electronic control bezels with flame sensor LED indicators
- Kalamazoo's Advanced Cooking Concept with Deep hopper cleaning
- Single Hybrid Fire Grilling System Drawer
- Stainless steel leveling legs (optional toe kick not shown)
- Optional laser-cut grilling surfaces with your choice of patterns optimized for cooking meat, fish, and vegetables
- Marine-grade stainless steel available

April 19, 2023

Overall Width / Installation Width	39.38 in (1000 mm) / 38 in (966 mm)
Overall Depth / Installation Depth	32 in (814mm) / 26.50 in (674 mm)
Overall Height / Counter Height	54.63 in (1388 mm) / 36 in (915 mm) +/- 1 ¼ in (33 mm)
Approximate Product Weight	420 lb (191 kg)
Gas Requirements	Natural Gas: 1/2" male NPT connection. 10 ft. (305 cm) gas hose with quick disconnect provided. Gas service line to deliver 7 i.w.c. at grill location. See BTU information below for pipe sizing.
	Bulk Propane: 1/2" male NPT connection. 10 ft. (305 cm) gas hose with quick disconnect provided. Gas service line to deliver 11 i.w.c. at grill location. See BTU information below for pipe sizing.
	Propane Cylinder: Not available
Electrical Requirements	120VAC/60Hz Includes 1 ft. (30.5 cm) 3-prong grounded power cord.
Maximum AMP usage	3 amps
Main Burners Rating	79,500 BTU liquid propane / 72,000 BTU natural gas
Total BTUs	99,750 BTU liquid propane / 92,500 BTU natural gas

Ensure proper gas pipe sizing. Diameter and length of the supply pipe may limit the pressure and BTU delivery.

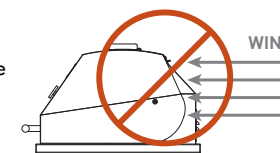
This appliance is certified to the ANS Z21.58/CSA 1.6 (2018) standard for Outdoor Cooking Gas Appliances.

As with all appliances certified to this standard, this appliance is for outdoor use only and may not be used underneath an overhead combustible structure or surface.

Do not build the grill into a combustible enclosure. Maintain at least 6 inches (153 mm) of clearance between the sides and back of the grill and any combustible surface, or use an insulating surround available from Kalamazoo.

High altitude kit available.

Do not place the grill in a location where the rear hood openings are likely to be exposed to strong wind. A wind break wall is recommended for installations where the prevailing wind may be a problem.



WARNING: This product can expose you to chemicals including nickel, which are known to the State of California to cause cancer, and lead, which is known to the State of California to cause birth defects or other reproductive harm. For more information go to www.P65Warningsca.gov

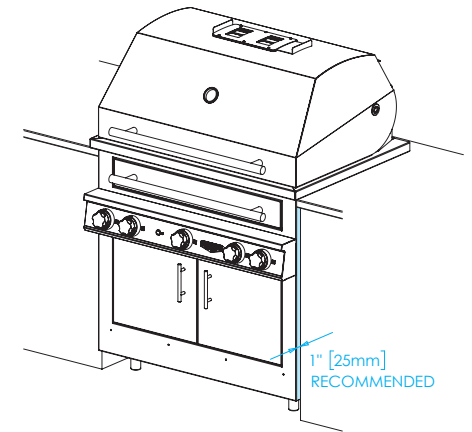
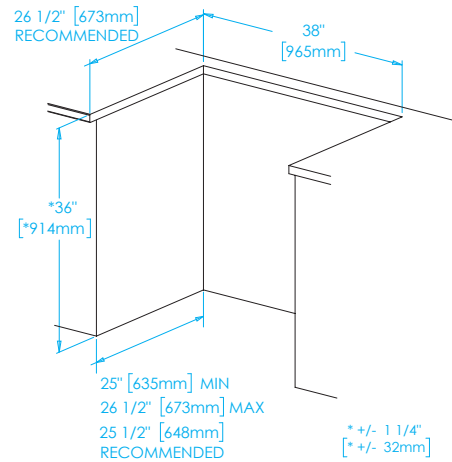
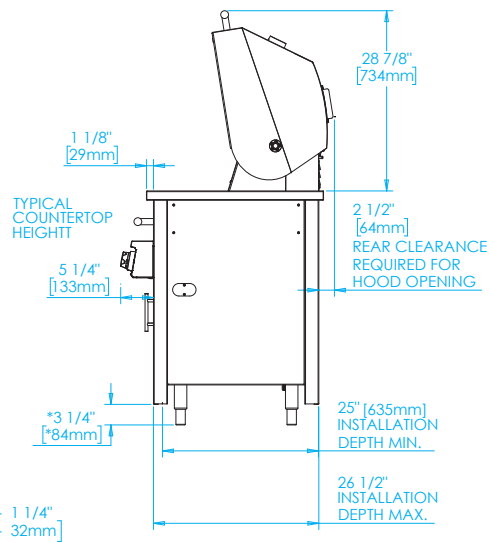
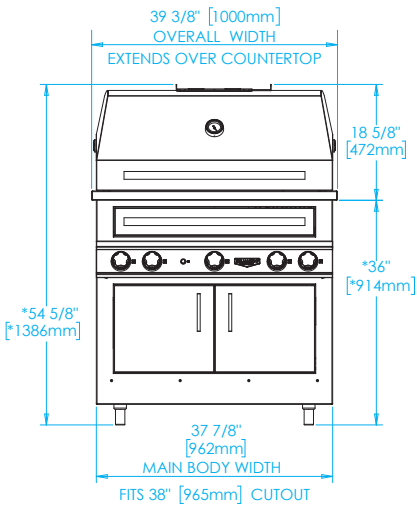
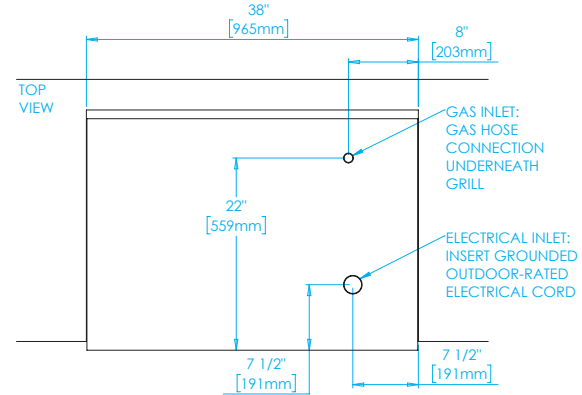
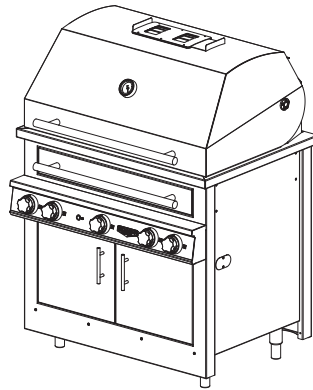
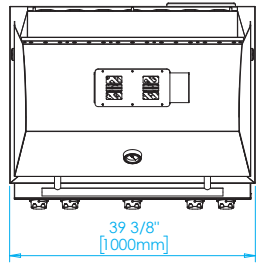


810 WEST WASHINGTON BOULEVARD
CHICAGO, IL 60607

8566 KRUM AVENUE
GALESBURG, MI 49053

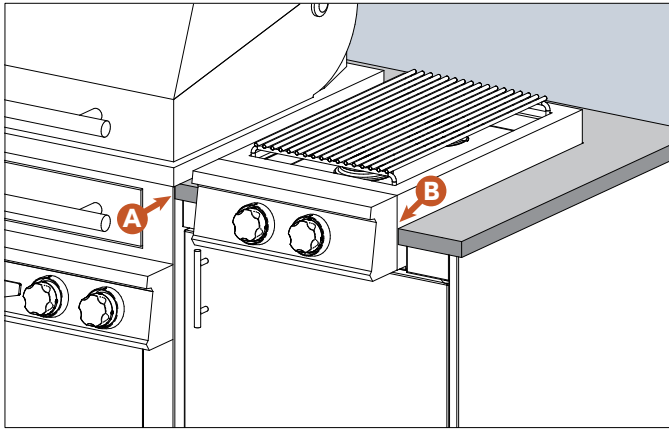
KALAMAZOOGOURMET.COM
+1.800.868.1699

K750HB Hybrid Fire Built-In Grill





Notice for Countertop Fabricators



The countertop should be adhered directly to the tops of the cabinets using silicone adhesive. See detailed instructions in the cabinetry installation manual.

Undercounter appliances should NOT bear any countertop load and should not be adhered to the countertops.

A 1-inch overhang is recommended on all sides. The recommended position of the Kalamazoo Hybrid Fire Grill aligns the front edge of the countertop with the back radius of the front face of the grill. **A**

The seam between the control panel and the body of the Kalamazoo cooktop **B** should be in front of the countertop.

The countertop should extend below the trim ledge of the grill. For Hybrid Fire Grills and Gaucho Grills, the grill height should be adjusted using the leveling legs so that the bottom of the trim ledge is 1/8 inch (3mm) above the finished countertop. **C** For drop-in grills in Kalamazoo base cabinets, the grill support pads should be adjusted to achieve the same gap. Drop-in grills that are not installed in Kalamazoo cabinetry may rest directly on the countertop.

A drip edge **D** is recommended around the perimeter of the countertop.

Undercounter refrigeration **E** should not bear the load of, or be adhered to the countertops.

IMPORTANT: The maximum recommended countertop thickness is 2 inches (51mm).

