

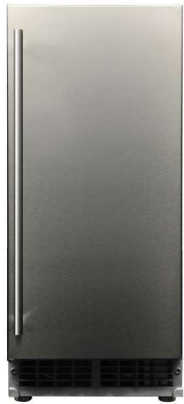


810 WEST WASHINGTON BOULEVARD
CHICAGO, IL 60607

8566 KRUM AVENUE
GALESBURG, MI 49053

KALAMAZOOGOURMET.COM
+1.800.868.1699

Signature 15-inch Outdoor Ice Maker



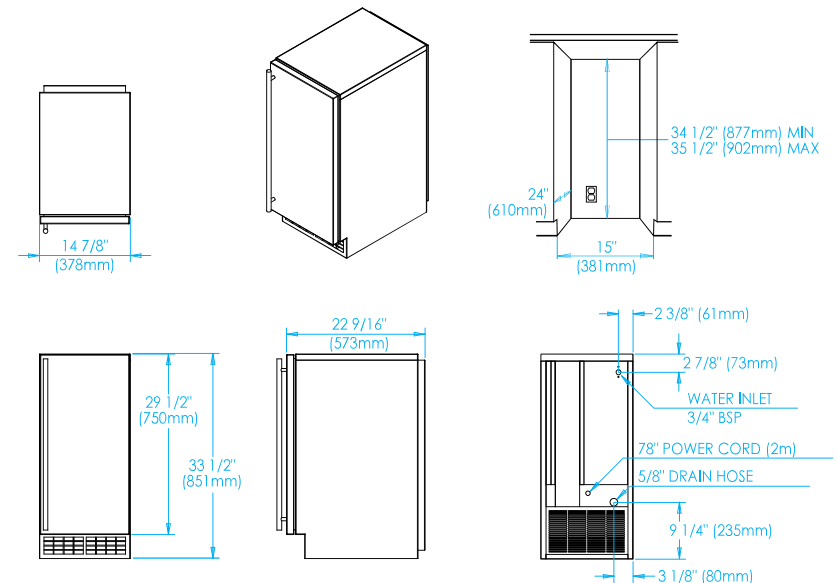
Approximate Product Weight	118 lb (53.5 kg)
Electrical Requirements	115VAC/60Hz Includes 6 ft. (1.83 m) 3-prong grounded power cord.
Maximum AMP Usage	3.4 amps
Refrigerant	R134A
Plumbing	1/2" FTP water Inlet, 1/2" FTP Drain

Width	Door Swing	Minimum Corner Clearance	Installation Cutout Width	Ice Capacity
14 7/8 in (378 mm)	14 in (400 mm)	4 in (102 mm)	15 in (381 mm)	22 lb (10 kg)

K-H50IMS

PRODUCT FEATURES

- Durable stainless steel exterior
- Clear ice production
- Top-hat ice shape
- Easily disassembled water circuit for easy cleaning
- UL approved for outdoor use
- Produces up to 55 pounds in 24 hours
- 22 pound ice storage capacity
- Drain pump available (Note: Old ice inside the ice maker is constantly melting and being replenished with fresh ice.)



WARNING: This product can expose you to chemicals including nickel, which are known to the State of California to cause cancer, and lead, which is known to the State of California to cause birth defects or other reproductive harm. For more information go to www.P65Warningsca.gov