

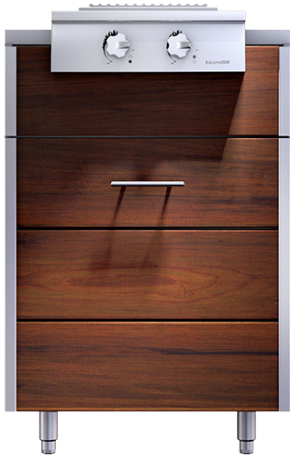


810 WEST WASHINGTON BOULEVARD
CHICAGO, IL 60607

8566 KRUM AVENUE
GALESBURG, MI 49053

KALAMAZOOGOURMET.COM
+1.800.868.1699

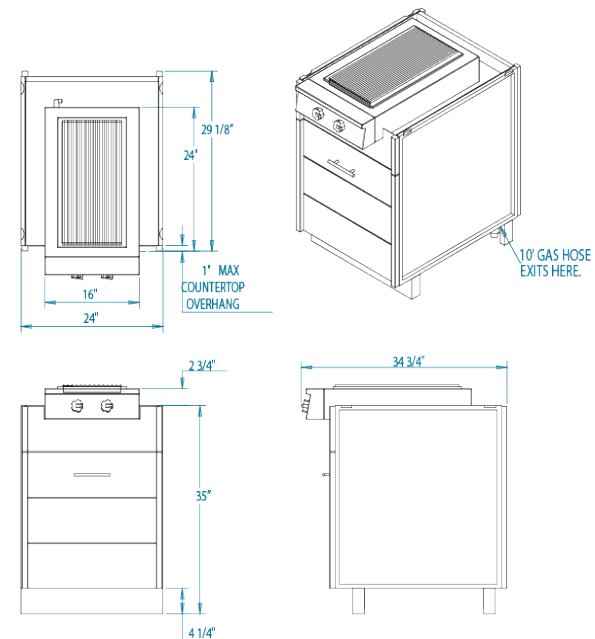
Arcadia 24-inch Double Burner Cooktop Cabinet



Overall Width / Installation Width	24 in (609.6 mm) / 24 in (609.6 mm)
Overall Depth / Installation Depth	29 1/8 in (739.78 mm) / 29 1/8 in (739.78 mm)
Overall Height / Counter Height	35 in (889 mm) / 35 in (889 mm) +/- 3/4 in (19.05 mm)
Approximate Product Weight	220 lb (99.8 kg)

PRODUCT FEATURES

- 24-inch Arcadia Series storage cabinet designed to accommodate Kalamazoo Built-in Cooktops
- Offered in a variety of finish options, including a stunning oiled ipe wood and a wide range of powder-coated stainless steel colors
- Available in 200+ custom RAL colors of powder-coated stainless steel
- Available in left- or right-hinge configuration
- Includes all stainless steel hardware, including drawer glides
- Full-extension shelf inserts available
- Stainless steel leveling legs for easy installation
- Arrives fully assembled and ready to install
- Built from heavy-gauge 304 stainless steel
- Available in marine-grade stainless steel
- Handcrafted with pride in Kalamazoo, Michigan



* HEIGHT ADJUSTABLE +/- 3/4 in (19.05mm)

WARNING: This product can expose you to chemicals including nickel, which are known to the State of California to cause cancer, and lead, which is known to the State of California to cause birth defects or other reproductive harm. For more information go to www.P65Warningsca.gov