



810 WEST WASHINGTON BOULEVARD
CHICAGO, IL 60607

8566 KRUM AVENUE
GALESBURG, MI 49053

KALAMAZOOGOURMET.COM
+1.800.868.1699

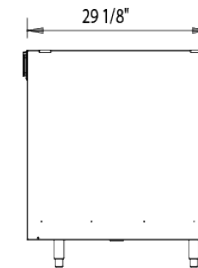
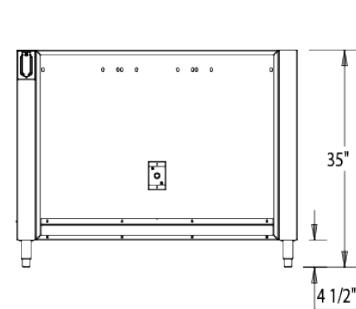
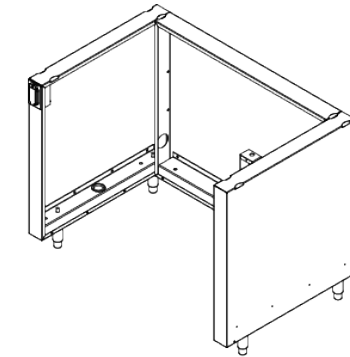
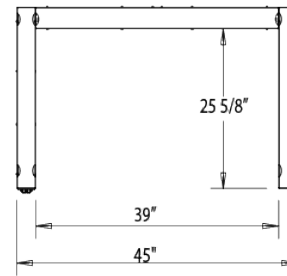
Arcadia 45-inch Appliance Cabinet



Overall Width / Installation Width	45 in (1143 mm) / 45 in (1143 mm)
Overall Depth / Installation Depth	29 1/8 in (739.78 mm) / 29 1/8 in (739.78 mm)
Overall Height / Counter Height	35 in (889 mm) / 35 in (889 mm) +/- 3/4 in (19.05 mm)
Approximate Product Weight	250 lb (113.4 kg)

PRODUCT FEATURES

- Accommodates a 15-inch and a 24-inch appliance
- Hand-crafted from the highest quality stainless steel
- Outlet box inside for appliance
- Outlet box on left or right face for countertop electrics
- Stainless steel leveling legs for easy installation
- Available in marine-grade stainless steel
- Hand-crafted with pride in Kalamazoo, Michigan



* HEIGHT ADJUSTABLE +/- 3/4 in (19.05mm)
LEFT SIDE ELECTRICAL OUTLET MODEL SHOWN

WARNING: This product can expose you to chemicals including nickel, which are known to the State of California to cause cancer, and lead, which is known to the State of California to cause birth defects or other reproductive harm. For more information go to www.P65Warningsca.gov