



810 WEST WASHINGTON BOULEVARD
CHICAGO, IL 60607

8566 KRUM AVENUE
GALESBURG, MI 49053

KALAMAZOOGOURMET.COM
+1.800.868.1699

K-DBC42 Base Cabinet for K42DB Built-In Echo Gas Grill

PRODUCT FEATURES

- Provides storage below K42DB built-in gas grills
- Adjustable grill supports inside cabinet accommodate countertop thicknesses from 1 inch (26 mm) to 2.25 inches (57 mm)
- Pass-through holes for flexible gas hose and outdoor-rated extension cord
- Compatible with Kalamazoo Signature Series and Arcadia Series cabinetry and refrigeration for modular outdoor kitchen installations
- Available with louvered doors for suitable ventilation when used with a 20-pound liquid propane cylinder; includes tank bracket (K-DBC42-LVP only)
- Signature Series and Arcadia Series back finishing panels available for installations where the rear of cabinet is visible; use two 21-inch panels
- Front and rear toe kicks available
- Marine-grade stainless steel available

Overall Width / Installation Width	42 in (1067 mm) / 42 in (1067 mm)
Installation Depth	29.125 in (739 mm) MIN. without optional back finishing panels
Height (Below Counter)	34.25 in (829 mm) to 35.75 in (908 mm) with adjustable legs
Countertop Thickness Allowed	1 in (26 mm) MIN. to 2.25 in (57 mm) MAX.
Approximate Product Weight	150 lb (68 kg)
Gas Requirements	Natural Gas: 10 ft. (305 cm) gas hose from grill passes through bottom of cabinet.
	Bulk Propane: 10 ft. (305 cm) gas hose from grill passes through bottom of cabinet.
	Propane Cylinder: 20-pound (9 kg) propane cylinder can be used inside Kalamazoo base cabinet K-DBC42-LVP with louvered doors for proper ventilation. Do not use a cylinder inside K-DBC42-BLK with solid doors.



K-DBC42-LVP



K-DBC42-BLK

WARNING: This product can expose you to chemicals including nickel, which are known to the State of California to cause cancer, and lead, which is known to the State of California to cause birth defects or other reproductive harm. For more information go to www.P65Warningsca.gov

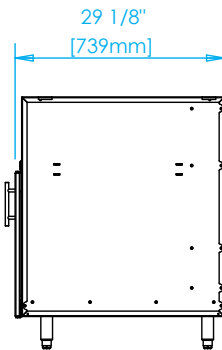
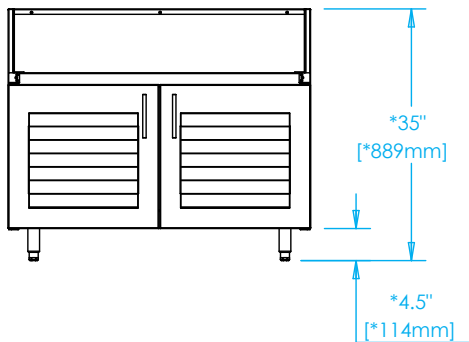
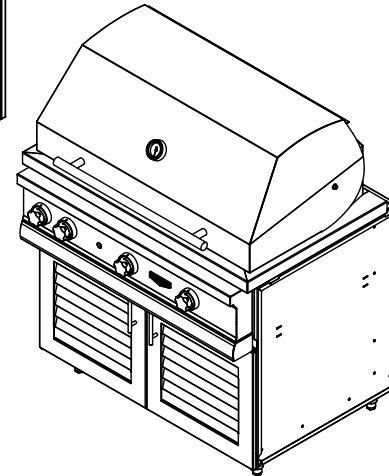
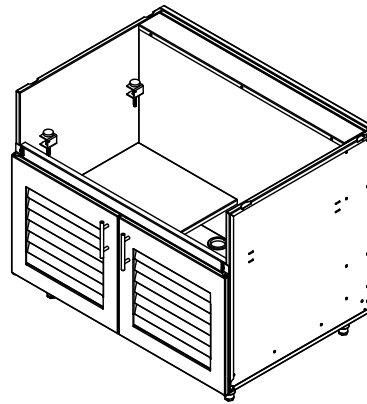
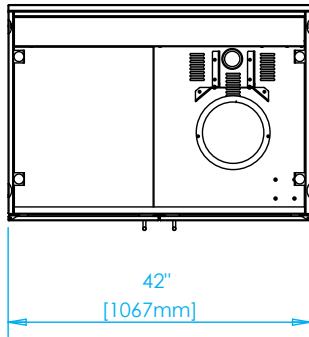


810 WEST WASHINGTON BOULEVARD
CHICAGO, IL 60607

8566 KRUM AVENUE
GALESBURG, MI 49053

KALAMAZOOGOURMET.COM
+1.800.868.1699

K-DBC42-LVP Base Cabinet for K42DB Built-In Echo Gas Grill with LP Cylinder



1" [26mm] MINIMUM COUNTERTOP THICKNESS
2 1/4" [57mm] MAXIMUM COUNTERTOP THICKNESS

*HEIGHT ADJUSTABLE +/- 3/4" [19mm]

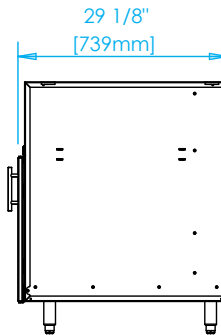
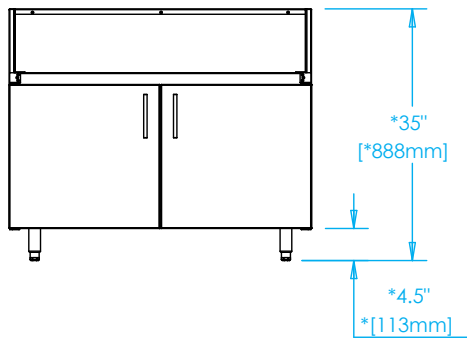
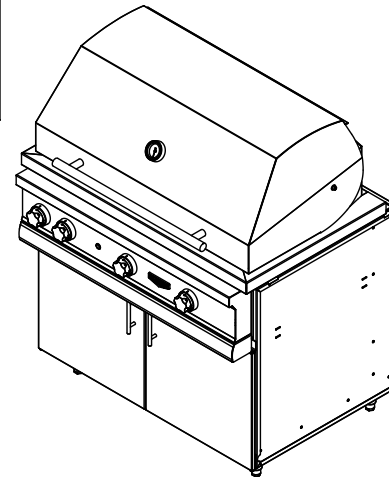
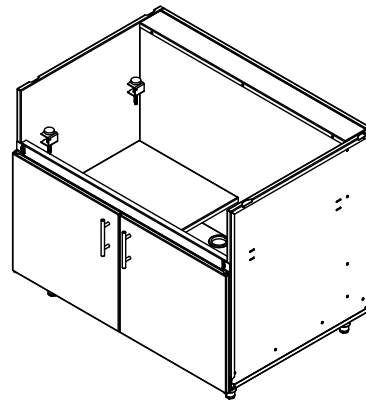
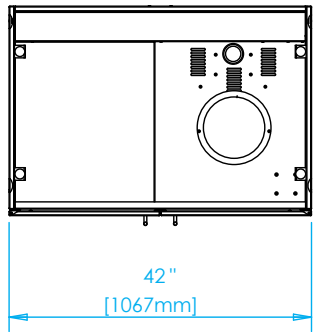


810 WEST WASHINGTON BOULEVARD
CHICAGO, IL 60607

8566 KRUM AVENUE
GALESBURG, MI 49053

KALAMAZOOGOURMET.COM
+1.800.868.1699

K-DBC42-BLK Base Cabinet for K42DB Built-In Echo Gas Grill with Bulk Gas Connection

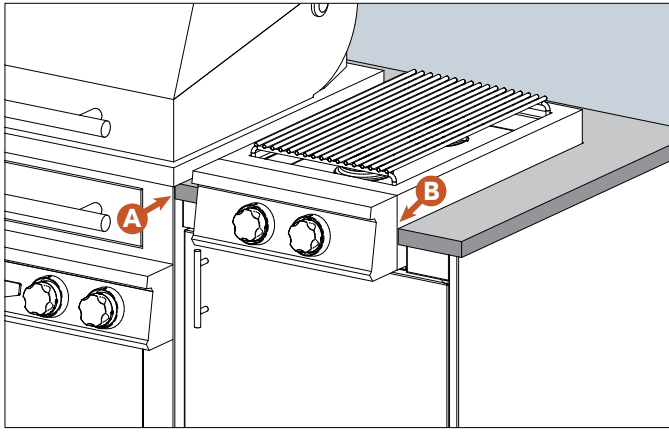


1" [26mm] MINIMUM COUNTERTOP THICKNESS
2 1/4" [57mm] MAXIMUM COUNTERTOP THICKNESS

* HEIGHT ADJUSTABLE +/- 3/4" [19mm]



Notice for Countertop Fabricators



The countertop should be adhered directly to the tops of the cabinets using silicone adhesive. See detailed instructions in the cabinetry installation manual.

Undercounter appliances should NOT bear any countertop load and should not be adhered to the countertops.

A 1-inch overhang is recommended on all sides. The recommended position of the Kalamazoo Hybrid Fire Grill aligns the front edge of the countertop with the back radius of the front face of the grill. **A**

The seam between the control panel and the body of the Kalamazoo cooktop **B** should be in front of the countertop.

The countertop should extend below the trim ledge of the grill. For Hybrid Fire Grills and Gaucho Grills, the grill height should be adjusted using the leveling legs so that the bottom of the trim ledge is 1/8 inch (3mm) above the finished countertop. **C** For drop-in grills in Kalamazoo base cabinets, the grill support pads should be adjusted to achieve the same gap. Drop-in grills that are not installed in Kalamazoo cabinetry may rest directly on the countertop.

A drip edge **D** is recommended around the perimeter of the countertop.

Undercounter refrigeration **E** should not bear the load of, or be adhered to the countertops.

IMPORTANT: The maximum recommended countertop thickness is 2 inches (51mm).

