



810 WEST WASHINGTON BOULEVARD
CHICAGO, IL 60607

8566 KRUM AVENUE
GALESBURG, MI 49053

KALAMAZOOGOURMET.COM
+1.800.868.1699

Echo 5 Built-In Gas Grill



PRODUCT FEATURES

- 48" x 22" (1,056 square inches) of primary grilling surface
- Four primary burners, 23,000 BTUs each (LP)
- Natural gas, bulk liquid propane or 20-pound liquid propane cylinder (with ventilated base cabinet)
- Rotisserie system with two infrared burners; motor mounted in chassis
- Safety valves for every burner and electronic control bezels with flame sensor LED indicators
- Interior task lighting
- Three-position warming rack with stowage
- Optional heavy duty laser-cut cooking surfaces
- Convenient cleanout system with three, separate, one-inch-deep trays
- Marine-grade stainless steel available

Overall Width / Installation Width	56.25 in (1429 mm) / 54 in (1372 mm)
Overall Depth / Installation Depth	30.5 in (776 mm) / MIN. 24.25 in (616 mm); MAX. 25.375 in (645 mm)
Overall Height / Above Counter Height	29.5 in (749 mm) / 18.125 in (461 mm)
Approximate Product Weight	435 lb (197 kg)
Gas Requirements	<p>Natural Gas: 1/2" (13 mm) male NPT connection. 10 ft. (305 cm) gas hose with quick disconnect provided. Gas service line to deliver 7 i.w.c. at grill location. See BTU information below for pipe sizing.</p> <p>Bulk Propane: 1/2" (13 mm) male NPT connection. 10 ft. (305 cm) gas hose with quick disconnect provided. Gas service line to deliver 11 i.w.c. at grill location. See BTU information below for pipe sizing.</p> <p>Propane Cylinder: 20-pound (9 kg) propane cylinder with provided 2 ft. (61 cm) gas hose with dual regulator. Requires an appropriately-ventilated cylinder enclosure or optional Kalamazoo base cabinet K-DBC54-LVP</p>
Electrical Requirements	120VAC/60Hz Includes 1 ft. (30.5 cm) 3-prong grounded power cord.
Maximum AMP usage	3 amps
Main Burners Rating	69,000 BTU liquid propane / 67,000 BTU natural gas
Total BTUs	86,000 BTU liquid propane / 82,000 BTU natural gas

Ensure proper gas pipe sizing. Diameter and length of the supply pipe may limit the pressure and BTU delivery.

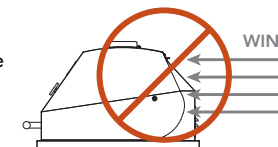
This appliance is certified to the ANS Z21.58/CSA 1.6 (2018) standard for Outdoor Cooking Gas Appliances.

As with all appliances certified to this standard, this appliance is for outdoor use only and may not be used underneath an overhead combustible structure or surface.

Maintain at least 6 inches (153 mm) of clearance between the sides and back of the grill and any combustible surface.

High altitude kit available.

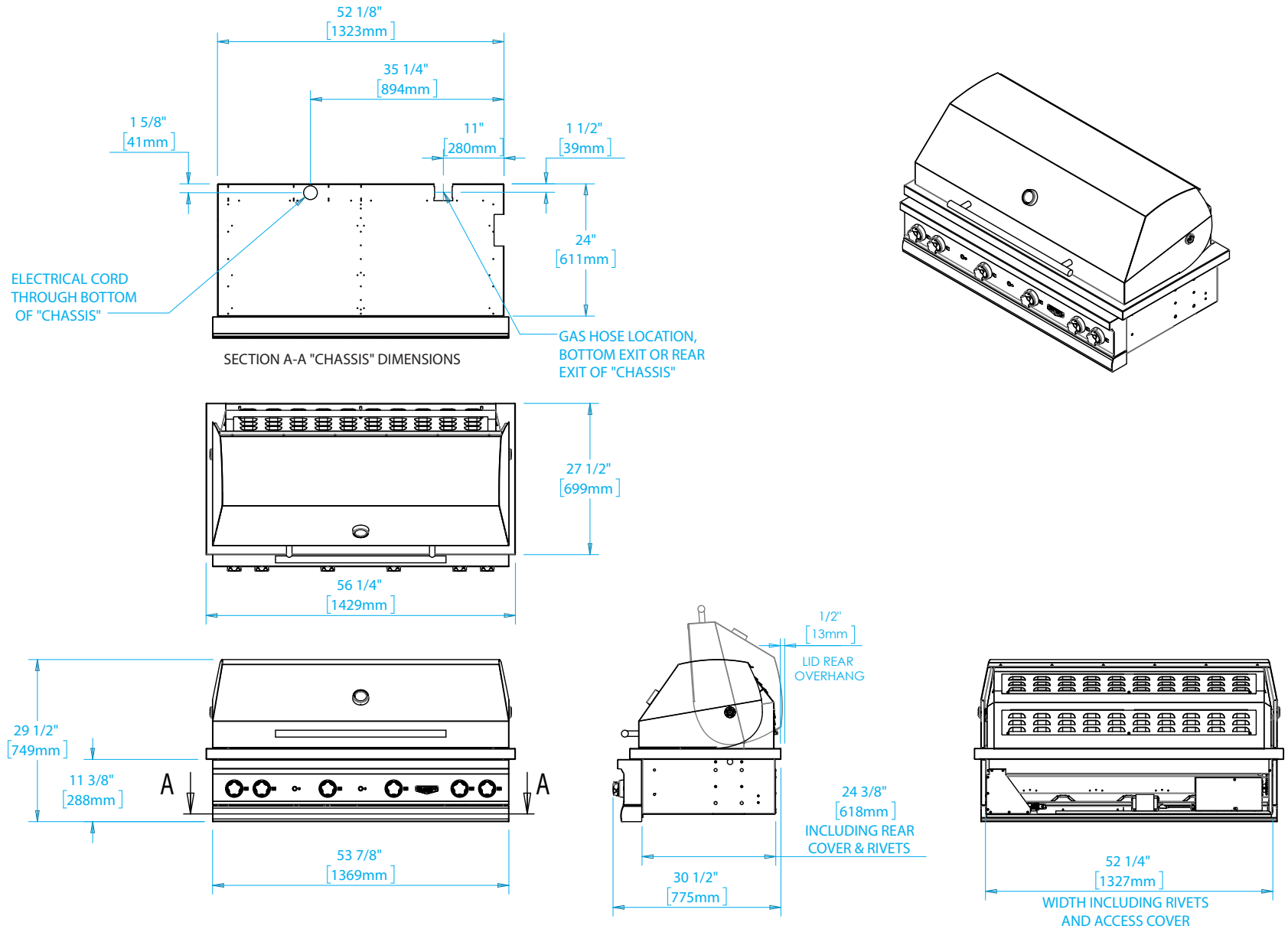
Do not place the grill in a location where the rear hood openings are likely to be exposed to strong wind. A wind break wall is recommended for installations where the prevailing wind may be a problem.



WARNING: This product can expose you to chemicals including nickel, which are known to the State of California to cause cancer, and lead, which is known to the State of California to cause birth defects or other reproductive harm. For more information go to www.P65Warningsca.gov

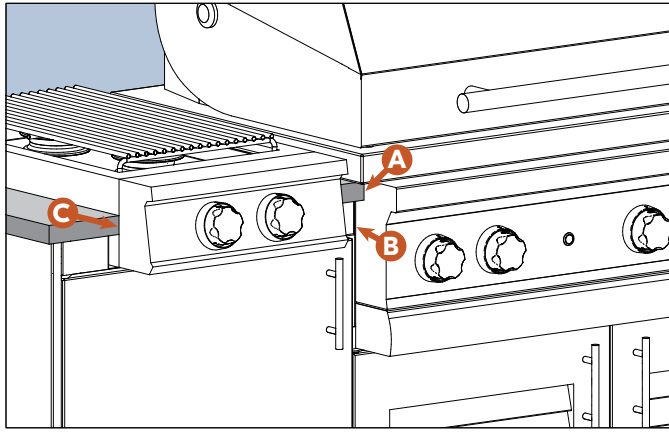


Echo 5 Built-In Gas Grill

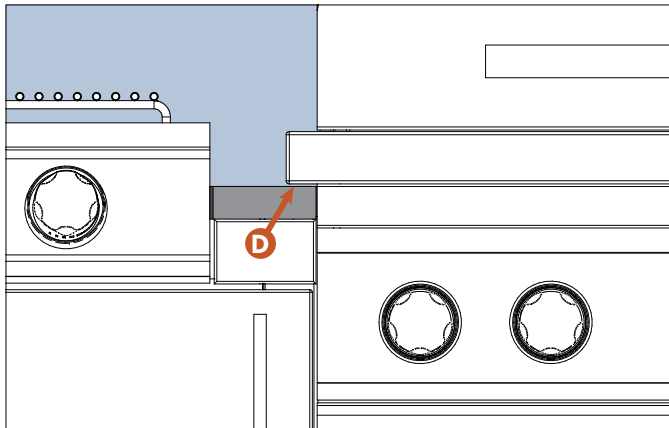




Notice for Countertop Fabricators



Echo Grill shown in optional Kalamazoo base cabinet.



The countertop should be adhered directly to the tops of the cabinets using silicone adhesive. See detailed instructions in the cabinetry installation manual.

A 1-inch overhang is recommended on all sides. The recommended position of the Kalamazoo Echo Grill will notch the front edge of the countertop 1 inch around the control panel. **A** The countertop should extend below the trim ledge of the grill behind the control panel.

The back plane of the control panel should be flush with the front plane of the cabinetry or other base structure. **B**

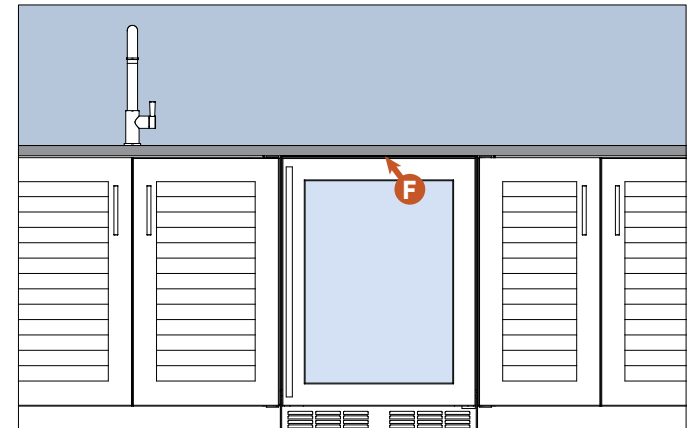
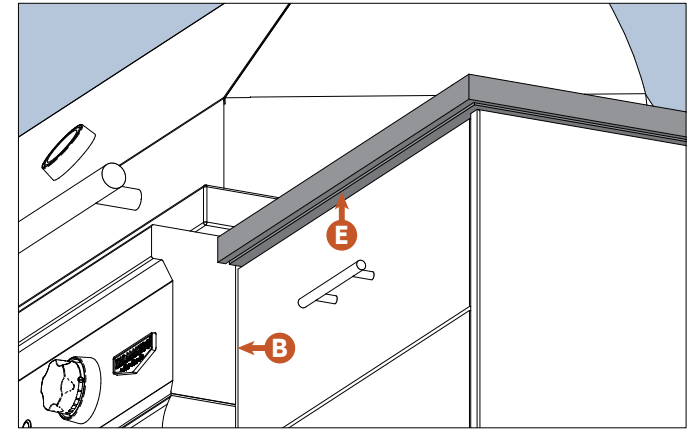
The seam between the control panel and the body of the Kalamazoo cooktop **C** should be in front of the countertop.

When the Echo Grill is installed in the Kalamazoo base cabinet, the grill support pads should be adjusted to create a 1/8 inch (3mm) gap between the top of the countertop and bottom of the grill trim ledge. **D** Drop-in grills that are not installed in Kalamazoo cabinetry may rest directly on the countertop.

A drip edge **E** is recommended around the perimeter of the countertop.

Undercounter refrigeration **F** should not bear the load of, or be adhered to the countertops.

The optimum recommended countertop thickness when using the Kalamazoo base cabinet with the Echo drop-in grill is 1.25 inches (32mm). Maximum is 2 inches (51mm). Minimum is 1 inch (25mm).



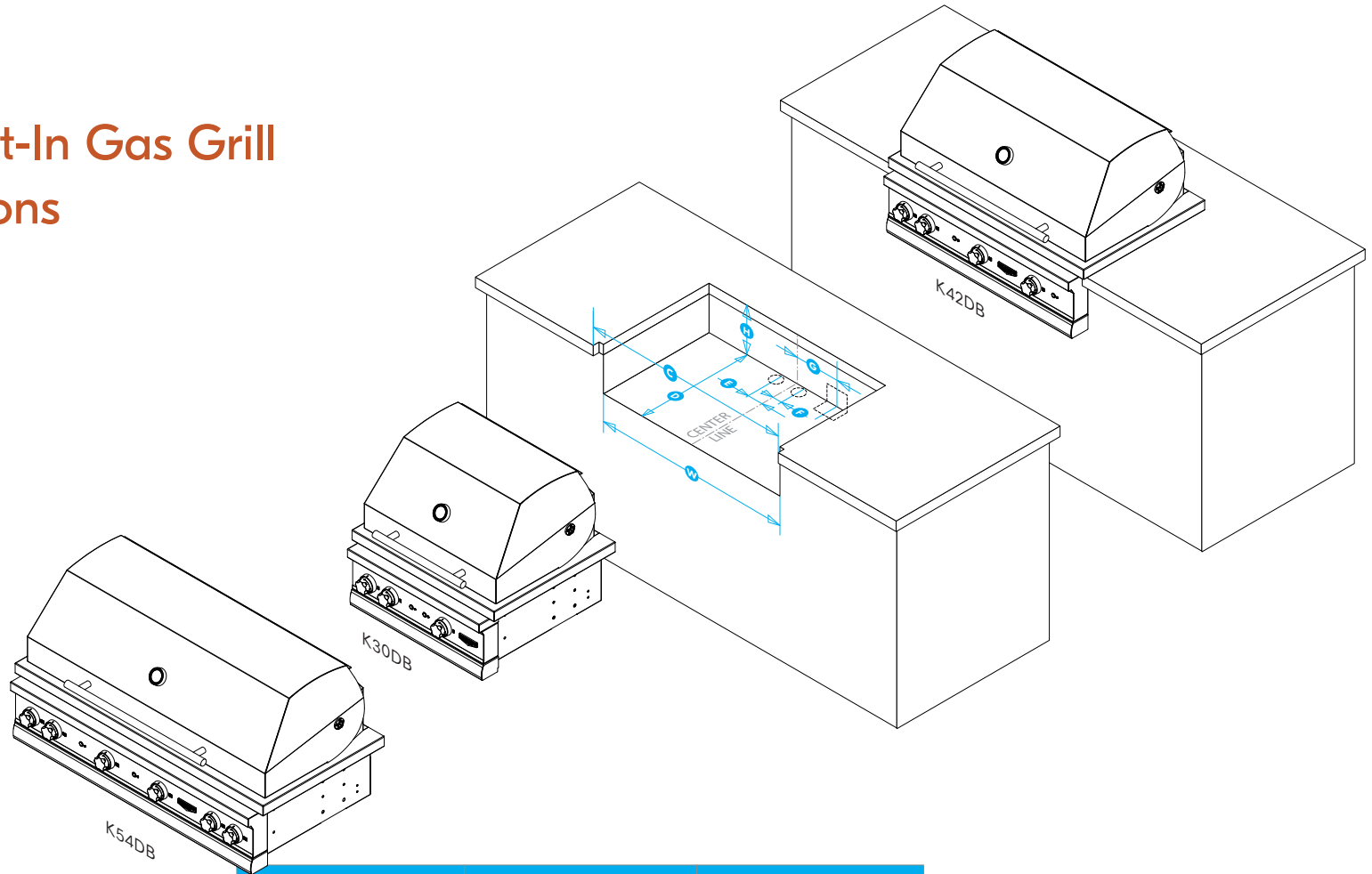


810 WEST WASHINGTON BOULEVARD
CHICAGO, IL 60607

8566 KRUM AVENUE
GALESBURG, MI 49053

KALAMAZOOGOURMET.COM
+1.800.868.1699

Echo 3, 4, 5 Built-In Gas Grill Cutout Dimensions



	ECHO 3 (K30DB)		ECHO 4 (K42DB)		ECHO 5 (K54DB)		
DIMENSION	MINIMUM	MAXIMUM	MINIMUM	MAXIMUM	MINIMUM	MAXIMUM	NOTES
W PRIMARY CUTOUT WIDTH	28.25" / 718 mm	29.5" / 750 mm	40.25" / 1023 mm	41.5" / 1054 mm	52.25" / 1328 mm	53.5" / 1359 mm	MAIN CHASSIS WIDTHS: K30DB 28.125" / 715 mm; K42DB 40.125" / 1020 mm; K54DB 52.125" / 1324 mm
H PRIMARY CUTOUT HEIGHT	10" / 254 mm	11.675" / 297 mm	10" / 254 mm	11.675" / 297 mm	10" / 254 mm	11.675" / 297 mm	MAIN CHASSIS IS 10" / 254 mm TALL
D PRIMARY CUTOUT DEPTH	24.25" / 616 mm	25.375" / 645 mm	24.25" / 616 mm	25.375" / 645 mm	24.25" / 616 mm	25.375" / 645 mm	FROM FACE OF STRUCTURE, NOT INCLUDING COUNTERTOP OVERHANG
C FRONT COUNTERTOP NOTCH WIDTH	30" / 762 mm	NA	42" / 1067 mm	NA	54" / 1372 mm	NA	REQUIRED IF THERE IS A FRONT COUNTERTOP OVERHANG
G GAS HOSE ENTRANCE CENTER LINE	5.27" / 134 mm	NA	9" / 229 mm	NA	15" / 381 mm	NA	5" / 127mm OPENING FOR GAS CONNECTION. HOSE MAY PASS THROUGH REAR OR BOTTOM AS NEEDED
E ECHO 4, 5 ELECTRICAL CORD PASS-THROUGH			3.14" / 80 mm	NA	9.14" / 232 mm	NA	4" / 102mm OPENING REQUIRED FOR GROUNDED ELECTRICAL EXTENSION CORD CENTERED 2" / 51mm TO 3" / 76mm FROM REAR OF CUTOUT
F ECHO 3 ELECTRICAL CORD PASS-THROUGH	-1.75" / -44 mm	NA					4" / 102mm OPENING REQUIRED FOR GROUNDED ELECTRICAL EXTENSION CORD CENTERED 2" / 51mm TO 3" / 76mm FROM REAR OF CUTOUT



810 WEST WASHINGTON BOULEVARD
CHICAGO, IL 60607

8566 KRUM AVENUE
GALESBURG, MI 49053

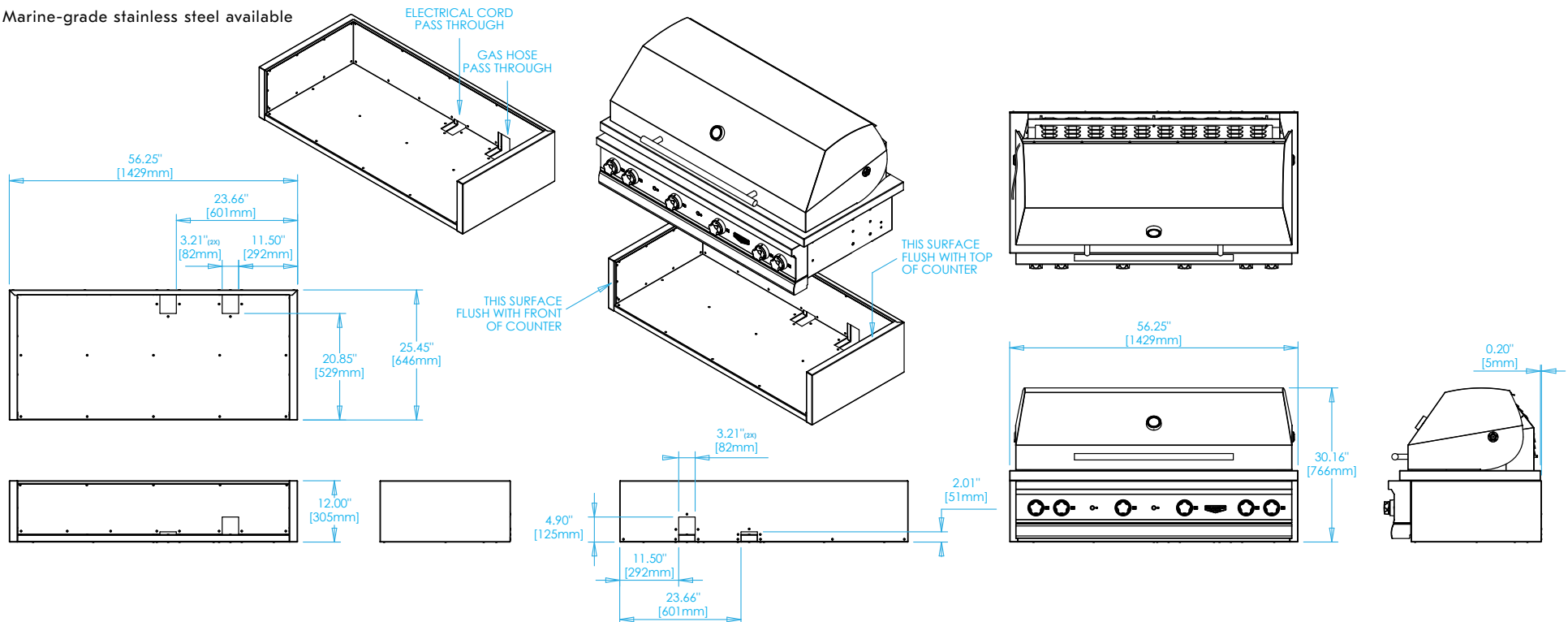
KALAMAZOOGOURMET.COM
+1.800.868.1699

Optional K-DIJK54 Insulating Jacket for Echo 5 Built-In Gas Grill

Overall Width / Installation Width	56.25 in (1429 mm) / 56.375 in (1432 mm)
Overall Depth / Installation Depth	25.45 in (647 mm) / 25.5125 in (648 mm)
Height (Flush with Countertop)	12 in (305 mm)
Countertop Cutout	56.375 in (1432 mm) WIDE x 25.5 in (648 mm) DEEP
Countertop Thickness Allowed	Any
Approximate Product Weight	81 lb (37 kg)

PRODUCT FEATURES

- Purchased separately
- Allows for installation of grill adjacent to combustible cabinetry or framing below a non-combustible countertop
- Double-walled stainless steel construction
- Marine-grade stainless steel available



WARNING: This product can expose you to chemicals including nickel, which are known to the State of California to cause cancer, and lead, which is known to the State of California to cause birth defects or other reproductive harm. For more information go to www.P65Warningsca.gov