

Outdoor Cooktops

USE AND CARE GUIDE



Important Safety Warnings

This appliance is FOR OUTDOOR USE ONLY. It is not to be used inside a garage, other building or any type of enclosed area.

WARNING: Failure to follow the information in this Use and Care Guide exactly may result in fire or explosion, causing property damage, personal injury or death. Read and follow all warnings and instructions before assembling and using the appliance.

WARNING: This appliance is not intended to be installed in or on a boat or recreational vehicle.



DANGER: IF YOU SMELL GAS:

1. Shut-off gas to the appliance.
2. Extinguish any open flame.
3. If odor continues, keep away from the appliance and immediately call your gas supplier or fire department.

Failure to follow these instructions could result in fire or explosion which could cause property damage, personal injury or death.



WARNING: FOR YOUR SAFETY:

1. Do not store or use gasoline or other flammable liquids or vapors in the vicinity of this or any other appliance.
2. An LP cylinder not connected for use shall not be stored in the vicinity of this or any other appliance.
3. Improper installation, adjustment, alteration, service or maintenance can cause property damage, injury or death. Read the installation, operating and maintenance instructions thoroughly before installing or servicing this equipment.

IMPORTANT: Damage caused by a failure to heed the warnings or follow the safety instructions and practices described in this Use and Care Guide is not covered by the warranty.

This Use and Care Guide contains important information necessary for the proper assembly and safe use of the Side Burner Unit.

Read and follow all warnings and instructions before assembling and using the Side Burner Unit.

Follow all warnings and instructions when using the Side Burner Unit.

Keep the Use and Care Guide for future reference.



Version 27.11.2017

Thank you for choosing Kalamazoo Outdoor Gourmet cooking equipment.

We recommend familiarizing yourself with this book before using your cooktop for the first time. Your Use and Care Guide contains important safety information as well as helpful guidance for successful cooking experiences and care. Following the guidance of this book will help ensure many years of outdoor cooking enjoyment.

Should you ever have any questions about cooking with or caring for your cooktop, we are here to help. Contact Kalamazoo Outdoor Gourmet Customer Service at:

1.800.868.1699

or

customerservice@KalamazooGourmet.com

Please have your model number and serial number ready or include it in your email.

Model Number

- CKTPDB-NG
- CKTPDB-LP
- CKTPDB-BLK-LP
- CKTPWP-NG
- CKTPWP-LP
- CKTPWP-BLK-LP

Serial Number

California Proposition 65 Warning:

The burning of gas cooking fuel generates some by-products that are on the list of substances which are known by the State of California to cause cancer or reproductive harm. California law requires businesses to warn customers of potential exposure to such substances. To minimize exposure to these substances, always operate this gas appliance according to this Use and Care Guide and ensure you provide good ventilation when cooking.

Table of Contents

Safe Operation	6
LP Tank Safety	7
Gas Requirements	8
Leak Testing	10
Cooktop Location	13
Cooktop Unit Specifications	14
Initial Assembly	19
Cooktop Controls	20
Before you Cook	20
While you are cooking	20
Lighting your cooktop	21
Ignition System	22
Flame Characteristics	23
Troubleshooting	24



Safety Information

Safe Operation

WARNING: When in use, portions of your cooktop get hot enough to cause severe burns. Children and pets should never be left alone or unattended in the area where the grill is being used. Never allow children to sit, stand or play on or around the grill.

IMPORTANT: Improper use or installation is dangerous. Extreme care must be taken. Carefully follow all instructions, including the following:

- To reduce the risk of fire, burns or other injury, read this Use and Care Guide thoroughly. Begin by ensuring proper installation and servicing. Do not repair or replace any part of the cooktop yourself unless it is specifically recommended in this Use and Care Guide. All other service must be carried out by a qualified gas technician.
- Never allow children to operate the cooktop unattended.
- Do not heat unopened food containers on the cooktop burners. The build-up of pressure resulting from the heat may cause the container to burst.
- When lighting the cooktop burners, always pay close attention to what you are doing. Make sure you are aware of which burner you are lighting and can see whether or not it is lit. Make sure you are pushing in the burner valve to activate the ignition when you attempt to light the burner.
- Be sure all control knobs are in the OFF position and the cooktop unit is cool before using any aerosol cleaner on it or near it. The chemical used for aerosol propellant could ignite in the presence of heat.
- Always use dry pot holders or gloves on hot surfaces or cooking tools: moist or damp pot holders or gloves may cause steam burns. Never use a towel or bulky cloth in place of pot holders. Do not let pot holders touch hot portions of the grill or allow them to get near the open flame.
- Do not obstruct any of the openings on the grill or otherwise obstruct the flow of combustion and ventilation air. Do not build the grill into any combustible structure that is closer than 6 inches from the sides and back.
- Keep all gas hoses away from the hot surfaces of the cooktop unit.
- Ensure proper installation and servicing by following all instructions in this Use and Care Guide and any other instructions or markings provided with this product. Have your cooktop unit installed by a qualified technician. Have the installer show you where the gas supply shut-off valve is located and instruct you in its operation so that you can shut-off the gas to the cooktop unit.
- If you smell gas, there is likely a problem with the installation. If the connections are not perfectly sealed, you can have a small leak resulting in the faint smell of gas — even if the cooktop appears to be working properly. Close the gas supply shut-off valve and call a qualified technician to locate and resolve the leak.

SPIDER ALERT: *Spiders and other insects are prone to nesting inside burners in outdoor cooking equipment. This can block the normal flow of gas, and can result in a fire behind the control panel, causing serious damage to the unit. Frequent inspections and care are recommended. See the care section beginning on page xx.*

Important LP Tank Safety Information

A liquid propane cylinder should never be overfilled beyond the cylinder filling capacity. Overfilling may create a dangerous condition.

Overfilled tanks can build up excess pressure. The standard safety device on tanks is the safety relief valve. This valve vents propane gas vapors to relieve excess pressure. These vapors are combustible and can be ignited.

To avoid risk of fire or explosion, take the following safety precautions:

- Never replace the liquid propane regulator or hose with a different type than the model supplied.
- NEVER USE A DENTED OR RUSTY LP TANK.
- NEVER USE A CYLINDER WITH A DAMAGED VALVE.
- ALWAYS CHECK FOR LEAKS AFTER CONNECTING AN LP TANK.
- Never connect the cooktop unit to anything other than the fuel source indicated on the serial plate. Factory conversion kits are available for switching fuel sources. Contact Kalamazoo Outdoor Gourmet or an authorized dealer for details. Conversion kit installation must be done by a qualified technician.
- The LP-gas cylinder must include a collar to protect the cylinder valve from damage.
- Ensure proper ventilation of the cylinder. The cylinder supply system must be arranged for vapor withdrawal.
- The LP-gas supply cylinder to be used must be constructed and marked in accordance with the specifications for LP-gas cylinders, U.S. Department of Transportation (DOT) or the standard for Cylinders Spheres and Tubes for the Transportation of Dangerous Goods, CAN/CSA-B339.
- When the cooktop burners are not in use, the gas must be turned off at the supply cylinder.
- The cooktop unit may be stored indoors, but only if the cylinder is disconnected and removed. An LP cylinder **MUST NEVER BE STORED INDOORS**.
- Cylinders must be stored outdoors out of the reach of children and must not be stored in a building, garage or any other enclosed area.
- Do not route the gas supply hose or locate a propane cylinder in a way that may create a tripping hazard. Tripping over, or getting caught on, a gas supply hose may tip the cylinder over or damage the hose, creating serious risk of injury and fire.
- The pressure regulator and hose assembly supplied with the cooktop unit must be used. Replacement pressure regulators and hose assemblies must be the type specified by Kalamazoo Outdoor Gourmet. For replacement parts, contact Kalamazoo Outdoor Gourmet customer service at 1.800.868.1699.



DANGER:

- A. Do not store a spare LP-gas cylinder under or near this appliance;**
- B. Never fill the cylinder beyond 80 percent full; and**
- C. If instructions A and B are not followed exactly, a fire causing death or serious injury may occur.**

Liquid Propane Gas Requirements (20-Pound Cylinder)

Verify the type of gas your cooktop unit has been configured for by the factory by checking the first page of this Use and Care Guide. Gas appliances configured for liquid propane (LP) gas are orificed differently than those configured for natural gas (NG). Cooktop units configured for use with a standard 20-pound LP cylinder equipped with a Type 1, QCC-1 valve, are shipped with a dual-stage LP regulator hose assembly.

Connection: LP regulator hose assembly with Type 1, QCC-1 connector (included) connects to the cooktop unit via a 0.375" male flare fitting.

Input Pressure: 11.0" W.C.

Cylinder Requirements: For use with 20-pound Type 1 LP cylinder. Never use a dented or rusty LP tank. Never use a cylinder with a damaged valve. Always check for leaks after connecting an LP tank.

To connect the LP regulator hose assembly to the LP tank, first make sure the main valve on the tank is completely closed. Make sure also that all control valves on the front of the cooktop unit are OFF.

Thread the regulator inlet over the tank valve. Use care to ensure proper alignment of the threaded coupler and avoid cross-threading or damaging the coupler. Turn the green coupler clockwise until tightened up, but do not over-tighten.

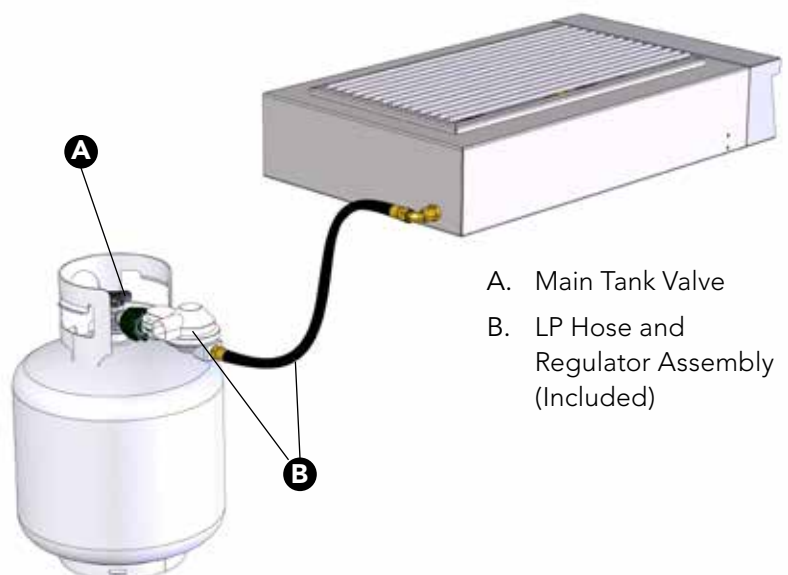
IMPORTANT: Always close the main valve on the tank before disconnecting or transporting the tank.

IMPORTANT: After connecting a fresh LP tank, you may need to purge air from the system. Before lighting, open the main valve on the tank. Turn the control valves on the grill to the HIGH position for about 15 seconds to purge air from the system.

Turn the control valves on the grill OFF and wait 5 minutes for any gas to clear. Finally, continue with the normal lighting procedure. The installation must conform to local codes. In the absence of local codes, the installation must conform to the National Fuel Gas Code, ANSI Z223.1/NFPA 54; Storage and Handling of Liquefied Petroleum Gases, ANSI/NFPA 58; Natural Gas and Propane Installation Code, CSA B149.1; or Propane Storage and Handling, CSA B149.2.

FIGURE 1

Type 1 Regulator



- A. Main Tank Valve
- B. LP Hose and Regulator Assembly (Included)

Natural Gas Requirements

Verify the type of gas your grill has been configured for by the factory by checking the first page of this Use and Care Guide. Gas appliances configured for natural gas (NG) are orificed differently than those configured for liquid propane (LP) gas. Cooktop units configured for use with natural gas are shipped with a gray hose with a quick-connect fitting.

Connection: 0.375" NPT male. Quick-connect hose assembly (included) connects to the cooktop unit via a 0.375" male flare fitting.

Input Pressure: 7.0" W.C.

IMPORTANT: Always close gas supply shut-off valve before disconnecting the cooktop unit gas supply hose.

IMPORTANT: An installer-supplied safety shut-off valve **MUST** be installed on the natural gas supply line for the cooktop unit. The valve should be easily accessed and located between 3 and 20 feet away from the unit. All gas connections should be made by a qualified technician. The installation and all installer-supplied parts must conform to local codes. In the absence of local codes, the installation and all parts should conform to the National Fuel Gas Code, ANSI Z223.1/ NFPA 54 or Natural Gas and Propane Installation Code, CSA B149.1.

All pipe sealants must be an approved type.

IMPORTANT: Diameter and length of the gas supply pipe may limit the pressure and BTU delivery of gas to the cooktop unit. The installer must ensure proper delivery to the cooktop unit or it will not operate properly.

The appliance and its individual shut-off valve must be disconnected from the gas supply piping system during any pressure testing of that system at pressures in excess of 1/2 psi (3.5 kPa).

During any pressure testing of the gas supply piping system at test pressures equal to or less than 1/2 psi (3.5 kPa), the appliance must be isolated from the system by closing its individual manual shut-off valve

FIGURE 2

Gas Hose Assembly
(Included)



Installer-supplied shutoff
valve must be easily
accessible

Bulk Supply Liquid Propane Gas Requirements

Verify the type of gas your grill has been configured for by the factory by checking the first page of this Use and Care Guide. Gas appliances configured for natural gas (NG) are orificed differently than those configured for liquid propane (LP) gas. Cooktop units configured for use with a bulk LP supply are shipped with a gray hose with a quick-connect fitting.

Connection: 0.375" NPT male. Quick-connect hose assembly (included) connects to the cooktop unit via a 0.375" male flare fitting.

Input Pressure: 11.0" W.C.

A step down regulator **MUST** be used on an LP house system to reduce the pressure down to 11.0" W.C. for the cooktop unit.

IMPORTANT: Always close gas supply shut-off valve before disconnecting the cooktop gas supply hose.

IMPORTANT: An installer-supplied safety shut-off valve **MUST** be installed on the gas supply line for the cooktop. The valve should be easily accessed and located between 3 and 20 feet away from the cooktop unit.

All gas connections should be made by a qualified technician. The installation and all installer-supplied parts must conform to local codes. In the absence of local codes, the installation and all parts should conform to the National Fuel Gas Code, ANSI Z223.1/NFPA 54; Storage and Handling of Liquefied Petroleum Gases, ANSI/NFPA 58; Natural Gas and Propane Installation Code, CSA B149.1; or Propane Storage and Handling, CSA B149.2.

All pipe sealants must be an approved type and safe for use with LP gas.

FIGURE 3

Gas Hose Assembly
(Included)



Installer-supplied shutoff
valve must be easily
accessible

Leak Testing

Although gas connections on the grill are leak tested at the factory prior to shipment, a complete test must be performed after installation due to possible mishandling during shipping or installation.

Periodic checks are also recommended. Immediately check for leaks if you smell gas.

Never use an open flame to look for leaks.

Before Testing: Extinguish all open flames. Do not smoke.

You will need a spray bottle, a brush or a rag. For LP units using a 20-pound cylinder, a full cylinder should be used.

IMPORTANT: Homeowners should only check for leaks on the gas connections that are external to the cooktop unit. If the valves or other internal connections need to be checked, please call a qualified technician or Kalamazoo Outdoor Gourmet customer service at 1.800.868.1699.

To Conduct the Test: Make a soap solution of one part liquid dish soap and one part water.

Make sure all control valves are in the OFF position. Turn the gas supply ON. Use a spray bottle, brush or rag to apply the mild soap solution to all connections from the supply line or LP cylinder to the connection on the cooktop unit. Check all connections. Soap bubbles will appear at any connections with a leak. Turn OFF the gas supply and tighten any leaky connections. Recheck, applying more mild soap solution.

IMPORTANT: Do not use the cooktop unit until all connections have been checked and do not leak.



Location and Installation

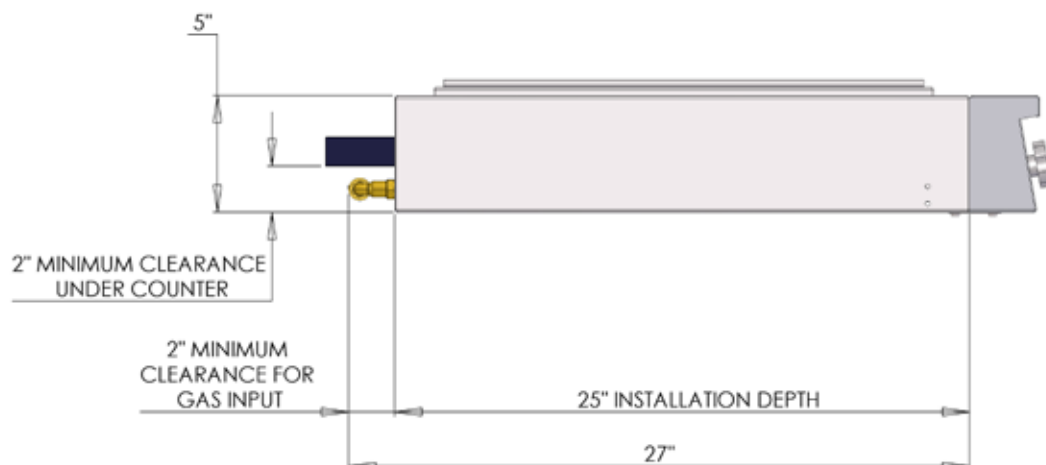
Cooktop Location

The cooktop is designed for easy placement into an outdoor countertop.

Choosing a Location: Important considerations for cooktop placement include exposure to wind, proximity to foot traffic and areas where people congregate, and access to the gas supply.

- A minimum of 6" from the sides of the unit must be maintained above the countertop to adjacent vertical combustible construction.
- Do not located under overhead unprotected combustible construction.
- The unit must be recessed a minimum of 2" beneath the countertop for gas input clearance. A minimum of 2" is required behind the unit, underneath the counter, for gas input clearance. See Figure 4.
- Do not place the cooktop in a location where the burners are likely to be exposed to strong wind.
- Do not place the cooktop where it is likely to be bumped into or inadvertently touched by passersby.
- Never place the cooktop where the gas hose creates a safety hazard. Tripping over an exposed gas hose may create a gas leak, or create other serious safety hazards. Keep gas hose as short as possible.
- Never locate the cooktop in a building, breezeway, shed or other such enclosed areas.
- The cooktop is not intended to be installed in or on a boat or recreational vehicle.
- If installing cooktop into a built-in installation where an LP tank is going to be used, there must be some means of retention (bracketry, cut-out, chain, etc...) to hold the tank in place.
-

FIGURE 4



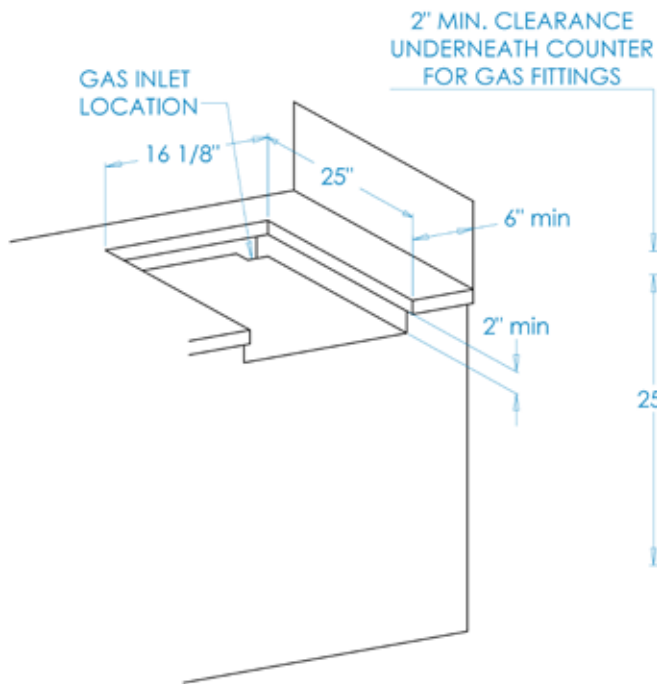


FIGURE 5

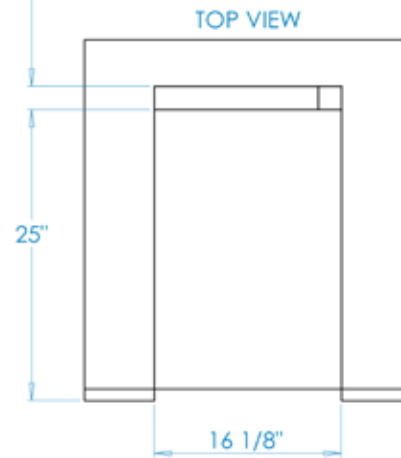


FIGURE 6

Installation:

Caulking around the cooktop unit body is recommended to seal it against the countertop. Do not caulk control panel portion of the unit. It must be removed in order to service the unit and to change the batteries. See recommended caulk line indicate in red on Figure 7.

Gas inlet is located at the back of the cooktop unit. Figure 1.

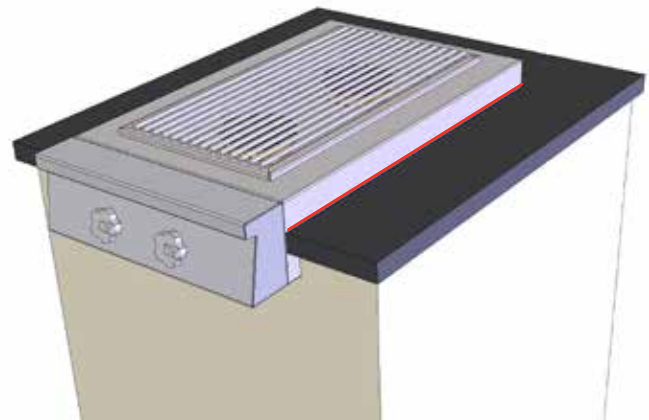


FIGURE 7

Installing with the Cooktop Cabinet



Set the cooktop on top of the cooktop cabinet, aligning the two locating posts on the top of the cabinet with corresponding holes underneath the cooktop unit (Figure 8). The posts will align the control panel seam on the cooktop 1 inch forward of the cabinet door. This offset is to align the seam with the front face of the countertop when set to a 1 inch overhang.

The cooktop does not fasten to the cabinet. It just sits on top. Use silicone caulk to seal the cooktop unit body to the countertop (See Figure 7).

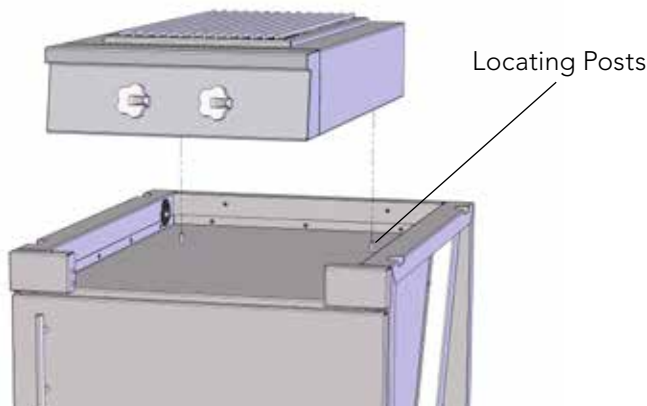
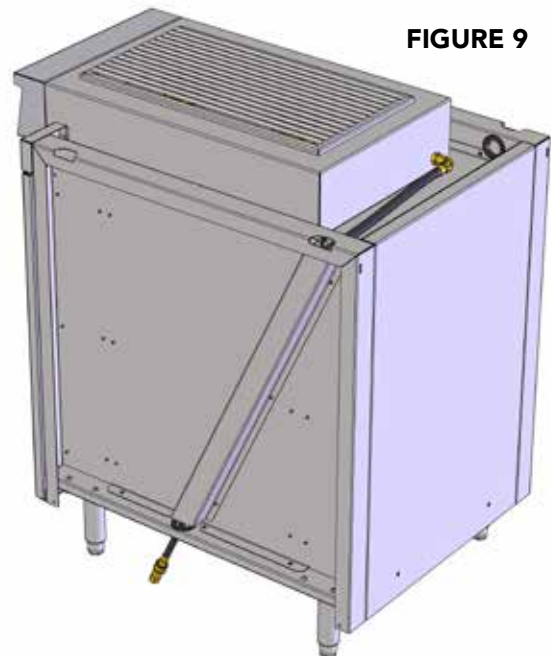


FIGURE 8



The gas hose is channeled through the outside wall of the cabinet keeping the cabinet clear for storage.

Thread the gas line through the rubber gasket lined hole on either side of the cabinet (depending on what side you want the gas line to come out.)

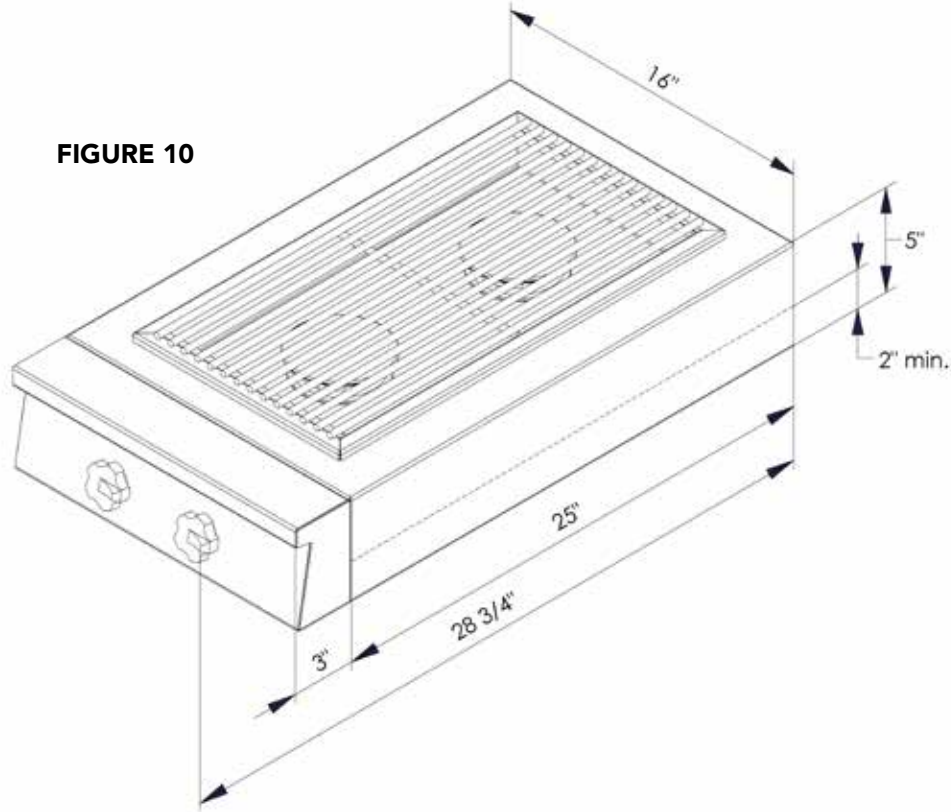
The gas line will drop down another rubber gasket lined hole at the base of the cabinet.

IMPORTANT: An installer-supplied safety shut-off valve **MUST** be installed on the gas supply line for the cooktop. The valve should be easily accessed and located between 3 and 20 feet away from the cooktop unit

Double-Burner Cooktop

Our standard outdoor cooktop features double-burner design with 19,000 BTU burners and a continuous grate for professional cooking. Diffusion caps enhance simmering on low.

FIGURE 10



PRODUCT MODEL #	K-CKTPDB-BI
WIDTH	16.00 in (40.6 cm)
DEPTH	28.00 in (71.1 cm)
HEIGHT	5.00 in (12.7 cm)
APPROX. PRODUCT WEIGHT	40 lb (18.1 kg)
GAS REQUIREMENTS	<p>Natural Gas: 3/8" male NPT connection. Quick disconnect provided. Gas service line to deliver 7 i.w.c. at side burner location. See BTU information below for pipe sizing.</p> <p>Bulk LP/Propane: 3/8" male NPT connection. Quick disconnect provided. Gas service line to deliver 11 i.w.c. at side burner location. See BTU information below for pipe sizing.</p> <p>LP/Propane Portable Tank: Equipped with high-capacity hose/dual-regulator assembly for connection to 20 lb. propane tank (not included).</p>
ELECTRICAL REQUIREMENTS	AA battery for electronic ignition.
STANDARD BURNER RATING	19,000 BTU LP/22,000 BTU NG
STANDARD BURNER QUANTITY	2
TOTAL BTU	38,000 BTU LP/44,000 BTU NG

Double Cooktop with Power Wok Burner

Our double outdoor cooktop with a 25,000 BTU Wok burner and a 19,000 BTU standard burner. The Wok power burner features three concentric rings of fire. The one piece grate incorporates our standard burner grid with a wok ring grid for convenience.

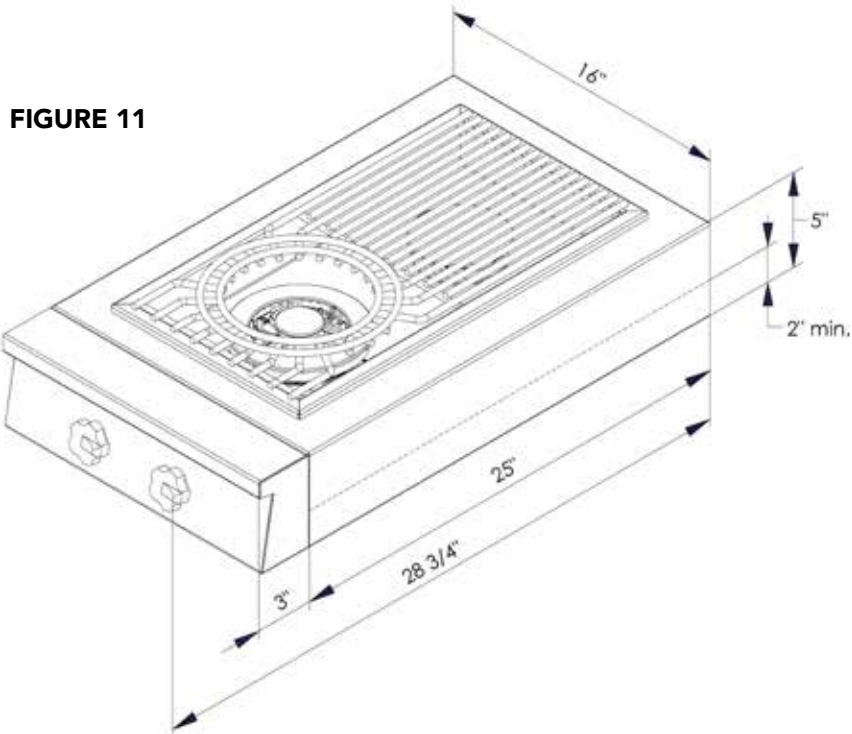


FIGURE 11

PRODUCT MODEL #	K-CKTPWP-BI
WIDTH	16.00 in (40.6 cm)
DEPTH	28.00 in (71.1 cm)
HEIGHT	5.00 in (12.7 cm)
APPROX. PRODUCT WEIGHT	42 lb (19.1 kg)
GAS REQUIREMENTS	<p>Natural Gas: 3/8" male NPT connection. Quick disconnect provided. Gas service line to deliver 7 i.w.c. at side burner location. See BTU information below for pipe sizing.</p> <p>Bulk LP/Propane: 3/8" male NPT connection. Quick disconnect provided. Gas service line to deliver 11 i.w.c. at side burner location. See BTU information below for pipe sizing.</p> <p>LP/Propane Portable Tank: Equipped with high-capacity hose/dual-regulator assembly for connection to 20-30 lb. propane tank (not included).</p>
ELECTRICAL REQUIREMENTS	AA battery for electronic ignition.
STANDARD BURNER RATING	19,000 BTU LP/22,000 BTU NG
STANDARD BURNER QUANTITY	1
WOK BURNER RATING	25,000 BTU LP/29,000 BTU NG
WOK BURNER QUANTITY	1
TOTAL BTU	44,000 BTU LP/51,000 BTU NG

Initial Assembly

You will need a $\frac{3}{4}$ " wrench and a $\frac{1}{2}$ " wrench for initial assembly.

- A. Set BASE UNIT A onto a level surface.
 - B. Natural Gas and Bulk LP units include a 10 ft gray bulk gas hose with a quick-disconnect B. Using the two wrenches tighten gas hose to $\frac{3}{8}$ " male flare fitting at rear of BASE UNIT A.
 - C. LP units, for use with 20# gas tank, include a 6 FT black lp gas hose with a dual-stage LP regulator C. Using the two wrenches tighten gas hose to $\frac{3}{8}$ " male flare fitting at rear of BASE UNIT A.
 - D. After the unit has been installed, set the black DIFFUSER CAPS D down onto each side burner. Set the black WOK BURNER DIFFUSER CAPS D2 down onto the wok side burner.
 - E. Set the SIDE BURNER GRATE E/ E2 down, so that it is nested in burner well. For Wok Burner units, make sure that the grate circles are oriented to the front, over the wok burner.
 - F. Place SIDE BURNER COVER F over assembled Side Burner Unit.
- WARNING:** Never operate the side burners with the cover in place.
- G. Mount CONTROL KNOBS G onto the valve posts. Be sure that the flat side of the opening in the knob casting is aligned with the flat side of the valve stem (see Figure X). The metal tab welded into the knob opening is placed against the round side of the valve stem.

FIGURE 12

Double-Burner Cooktop

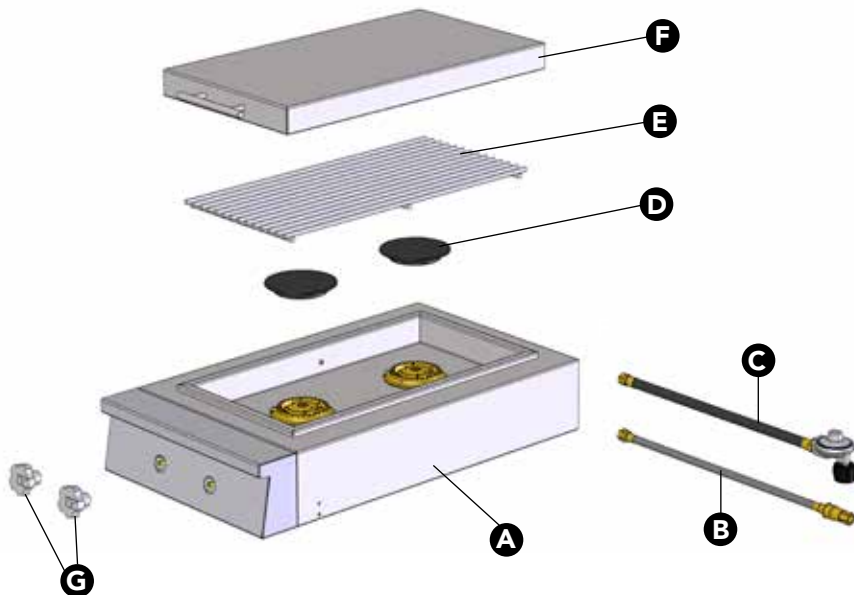
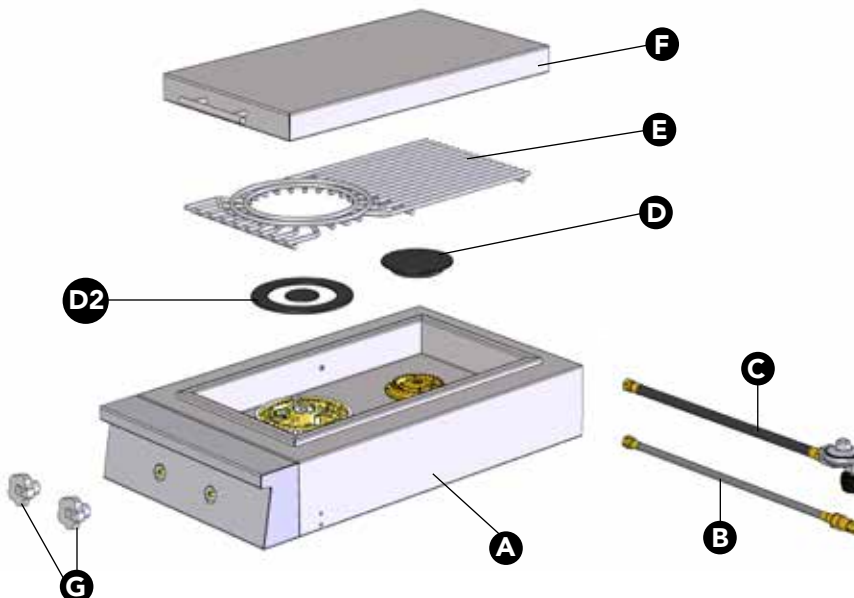


FIGURE 13

Double Cooktop with Power Wok Burner



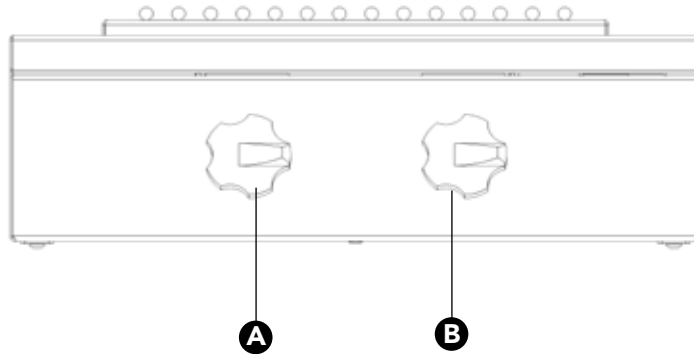


Operation

Cooktop Controls

- A. Rear Burner Control: Controls the flame on the rear cooktop burner. The electronic ignition for the rear burner is activated by pressing in the control knob.
- B. Front Burner Control: Controls the flame on the front cooktop burner. The electronic ignition for the front burner by pressing in the control knob.

FIGURE 14



Before You Cook

A quick safety check should be performed before each time you use the cooktop.

1. Clean and inspect the gas hose. If there is evidence of abrasion, wear, cuts or leaks, do not use the grill. The hose must be replaced prior to using the grill. Replace the hose assembly with the exact type specified by Kalamazoo Outdoor Gourmet.
2. Ensure the gas hose is clear of the cooktop. Keep the fuel supply hose away from all surfaces of the cooktop.
3. Check that the area near the cooktop is clear of combustible materials and vapors, including alcohol, gasoline, aerosol containers and dry goods. Keep electrical cords from being in contact with any surfaces of the unit.
4. Do not use the cooktop with overly loose-fitting clothing, especially loose sleeves that may come in contact with the hot surfaces.

While you are cooking

1. Never move the cooktop while it is in use or when it is hot.
2. The use of alcohol, prescription or non-prescription drugs may impair your ability to properly assemble or safely operate the unit.
3. Do not touch the cooktop grate when it is hot

4. Be very careful transporting hot food. Sauces, juices and oils can cause serious burns to yourself or those around you.
5. Do not cover grate with griddle or cookie sheet that will cover more than 70% of the surface area of the grate. Air flow is necessary for complete combustion of the burner flames.

Lighting your Cooktop Burners

Before lighting your cooktop, be sure you have followed the instructions in this Use and Care manual regarding proper setup, placement, gas connections leak testing, and safe operation, all of which precede this page.

IMPORTANT: Do not use the grill if the odor of gas is present at any time.

Follow leak testing procedures before using cooktop.

Standard Lighting Procedure:

1. Remove the stainless steel cover from the cooktop burners (see Figure XX).
2. Make sure all control knobs are in the OFF position.
3. Turn the main gas supply on.
4. Keeping your face well away from the unit, press in the COOKTOP BURNER control knob (see Figure). You should hear a rapid clicking noise from the electronic ignition. While continuing to press in the control knob, turn it to the HIGH position. Ignition should take place within 4 to 5 seconds. If the burner does not light within 4 to 5 seconds, turn the knob to the OFF position and wait 5 minutes for the gas to dissipate before trying again. If you do not hear clicking from the electronic ignition system, refer to the troubleshooting section of this Use and Care Guide.

NEVER PLACE THE COOKTOP BURNER COVER OVER THE COOKTOP BURNERS WHILE THE BURNERS ARE IN OPERATION.

Manual Lighting Procedure:

1. Remove the cover from the cooktop burners.
2. Make sure all control knobs are in the OFF position.
3. Turn the main gas supply on.
4. Keeping your face well away from the unit, hold a match or lighter wand at the side of the COOKTOP BURNER. Press in the COOKTOP BURNER control knob (see Figure XX), and turn it to the HIGH position. Ignition should take place within 4 to 5 seconds. If the burner does not light within 4 to 5 seconds, turn the knob to the OFF position and wait 5 minutes for the gas to dissipate before trying again.

Ignition System

The ignition system for the cooktop burners utilizes a AA battery to power an electronic spark ignition system. Screw off the ignition module cap to replace the AA battery. (Figure 17:A)

The ignition module is accessed by removing the cooktop control panel.

1. Remove the knobs from the control valves.
2. Remove the two screws underneath the control panel. (Figure 15)
3. Lift the control panel up and forward off of unit. (Figure 16)

FIGURE 15

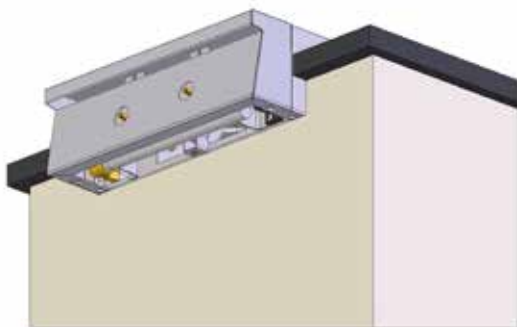


FIGURE 16

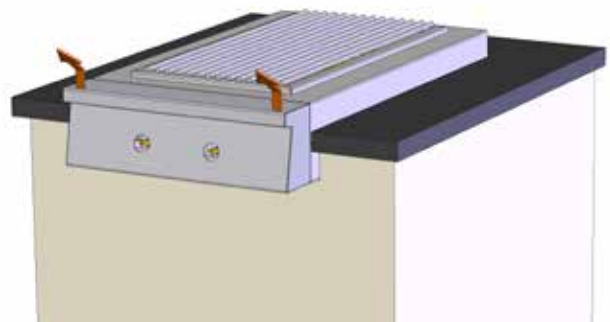
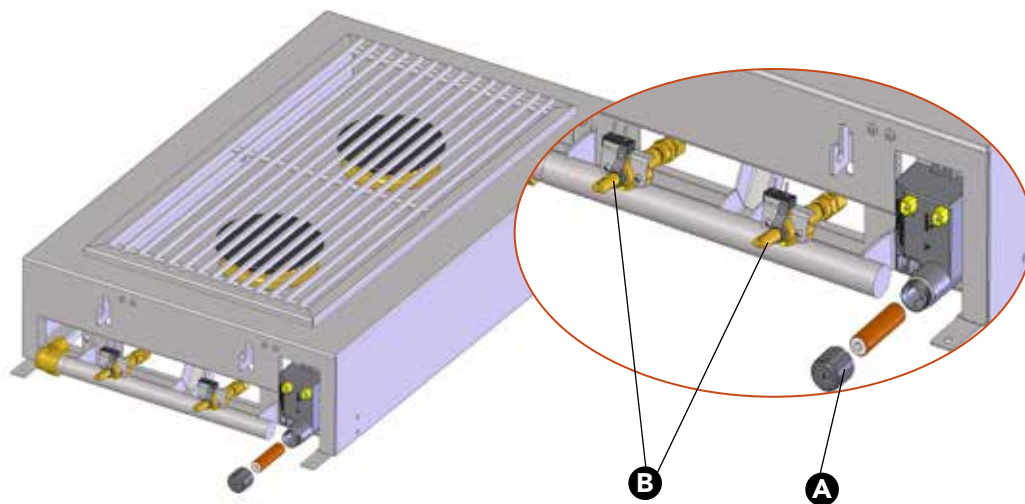


FIGURE 17



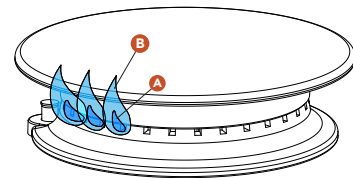
Flame Characteristics

Every burner is tested and adjusted at the factory for proper performance. If a burner is not operating properly, it may be due to variations in the local gas supply or because of an obstructed orifice. Flames should be stable without lifting from the burner. The flames should burn cleanly without creating any sooty residue.

Cooktop Burner Flame Characteristics:

- The flame should be blue and stable with only a small amount of orange, if any, at the tips. There should be little noise and no lifting.
- On HIGH, the inner cone (see Figure 18:A) should be approximately ½ inch long.
- On HIGH, the outer cone (see Figure 18:B) should be approximately 1 ¼ inches high.

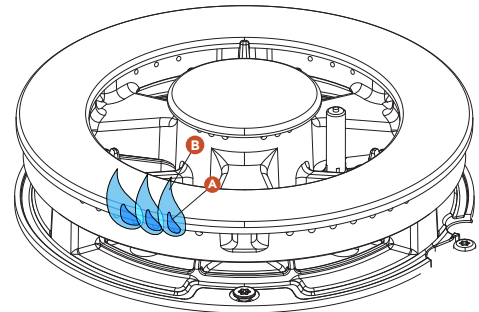
FIGURE 18



Wok Burner Flame Characteristics:

- The flame should be blue and stable with only a small amount of orange, if any, at the tips. There should be little noise and no lifting.
- On HIGH, the inner cone (see Figure 19:A) should be approximately ½ inch long.
- On HIGH, the outer cone (see Figure 19:B) should be approximately 1 ¼ inches high.

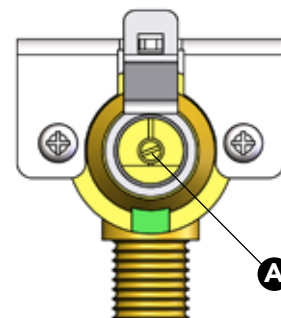
FIGURE 19



To Adjust Burner LOW Settings (All Burners):

- The low setting on the main burners can be adjusted **WITHOUT** removing the control panel. A long and thin flat-blade screw driver is needed to make the adjustments.
- Light the burner and set it to LOW.
- Remove the control knob and insert the screw driver into the opening in the center of the valve stem (Figure 17:B).
- Turn the adjustment screw (see Figure 20:A) until the flame on the burner is the minimum stable flame height. The flame should be steady at all ports around the burner. The flame should not be easily blown out without quickly reestablishing itself.

FIGURE 20



Troubleshooting

The troubleshooting tips here are for general information only. The information may save you the trouble of a service call. If your side burner requires service, contact Kalamazoo Outdoor Gourmet customer service at 1.800.868.1699.

Burners won't light:

The cooktop burners are lit by a battery-powered electronic spark ignition. If you do hear rapid clicking when you press in the control knobs, but the burners won't light, try manually lighting the burners (follow the instructions on page 23). If the burners do not light manually, there is probably a gas problem and not an ignition problem. Call Kalamazoo Outdoor Gourmet customer service.

Cooktop burners have low flames on high:

On HIGH, the flames on the cooktop burners should be at least 1 inch long. If they are not, check the following:

- ° LP cylinder has enough gas to deliver proper pressure. Refill the tank if necessary. In some situations in cold ambient temperatures, an LP cylinder will ice up, creating a drop in pressure. If this happens, turn off the tank and let it warm up before trying again. A full tank is less likely to ice up than a tank that is less than half full.
- ° Main gas supply is fully on and not just partially opened.
- ° Orifices are clear and not clogged. A clogged orifice creates a dangerous situation. Do not use the grill until the issue has been resolved (see instructions on page xx).
- ° If the fuel has been switched from liquid propane gas to natural gas, part of the process to convert the burners includes larger orifices. It is not safe to burn natural gas with liquid propane orifices (neither is it safe to burn the other way around). If you suspect a conversion was done improperly, do not use the grill and contact Kalamazoo Outdoor Gourmet customer service at 1.800.868.1699.

You smell gas:

- ° Turn off the cooktop burners immediately. Follow the leak check procedures on page 3. Contact Kalamazoo Outdoor Gourmet customer service at 1.800.868.1699 for assistance.



