



810 WEST WASHINGTON BOULEVARD
CHICAGO, IL 60607

8566 KRUM AVENUE
GALESBURG, MI 49053

KALAMAZOOGOURMET.COM
+1.800.868.1699

K-CKTPD2-BI Built-in Double Cooktop



Overall Width / Installation Width	16 in (407 mm)
Overall Depth / Installation Depth	28.38 in (720 mm)
Overall Height / Counter Height	7 in (179 mm)
Approximate Product Weight	34 lb (15.4 kg)
Gas Requirements	Natural Gas: 3/8" (10 mm) male NPT connection. 12 ft. (366 cm) gas hose with external regulator and quick disconnect provided. Gas service line to deliver 7 i.w.c. at grill location. See BTU information below for pipe sizing.
	Bulk Propane: 3/8" (10 mm) male NPT connection. 12 ft. (366 cm) gas hose with external regulator and quick disconnect provided. Gas service line to deliver 11 i.w.c. at grill location. See BTU information below for pipe sizing.
	Propane Cylinder: Not available
Electrical Requirements	1.5V "AAA" battery x 1
Total BTUs	38,000 BTU propane / 33,000 BTU NG

PRODUCT FEATURES

- Dual 19,000 BTU cooktop burners
- Natural gas or bulk propane
- Continuous stainless steel grate
- Battery powered electronic ignition
- For masonry installation or with a 24" Kalamazoo base cabinet, available in Signature and Arcadia Cabinet Series
- Stainless steel cover included
- Marine-grade stainless steel available

Ensure proper gas pipe sizing. Diameter and length of the supply pipe may limit the pressure and BTU delivery.

For outdoor use only. Maintain at least 9 inches (229 mm) of clearance around the sides and back of cooktop.

Never place cooktop underneath an overhead combustible surface. For installation in built-in enclosure constructed of non-combustible materials. Do not place cooktop in a location where it is likely to be exposed to a strong wind.

High altitude kit available.

WARNING: This product can expose you to chemicals including nickel, which are known to the State of California to cause cancer, and lead, which is known to the State of California to cause birth defects or other reproductive harm. For more information go to www.P65Warningsca.gov

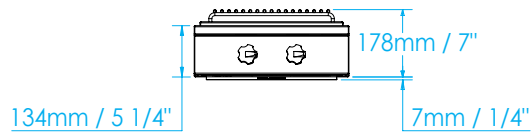
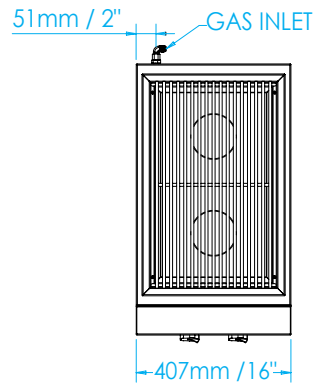


810 WEST WASHINGTON BOULEVARD
CHICAGO, IL 60607

8566 KRUM AVENUE
GALESBURG, MI 49053

KALAMAZOOGOURMET.COM
+1.800.868.1699

K-CKTPD2-BI Built-in Double Cooktop



SHOWN WITH OPTIONAL CABINET

