



810 WEST WASHINGTON BOULEVARD
CHICAGO, IL 60607

8566 KRUM AVENUE
GALESBURG, MI 49053

KALAMAZOOGOURMET.COM
+1.800.868.1699

K750GB Gaucho Built-In Grill



Overall Width / Installation Width	45.5 in (1157 mm) / 42 in (1067 mm)
Overall Depth / Installation Depth	32.13 in (817 mm) / 26.50 in (674 mm)
Overall Height / Counter Height	78.75 in (2000 mm) / 36 in (915 mm) +/- 1 1/4 in (33 mm)
Approximate Product Weight	490 lb (223 kg)
Gas Requirements	Natural Gas: 1/2" male NPT connection. 10 ft. (305 cm) gas hose with quick disconnect provided. Gas service line to deliver 7 i.w.c. at grill location. See BTU information below for pipe sizing.
	Bulk Propane: 1/2" male NPT connection. 10 ft. (305 cm) gas hose with quick disconnect provided. Gas service line to deliver 11 i.w.c. at grill location. See BTU information below for pipe sizing.
	Propane Cylinder: Not available
Electrical Requirements	120VAC/60Hz Includes 1 ft. (30.5 cm) 3-prong grounded power cord.
Maximum AMP usage	3 amps
Total BTUs	48,000 BTU liquid propane / 45,000 BTU natural gas

PRODUCT FEATURES

- Wood-fired grill with motorized rotisserie spit that raises and lowers above the fire; motor mounted in cabinet
- 33" x 22" (726 square inches) of primary grilling surface
- Two powerful gas burners to start the wood fire, 24,000 BTUs each (LP)
- Natural gas or bulk liquid propane
- Safety valves for every burner and electronic control bezels with flame sensor LED indicators
- Deep hopper cleanout
- Stainless steel leveling legs (optional toe kick not shown)
- Standard heavy duty stainless steel rod grilling surfaces
- Optional laser-cut grilling surfaces available with your choice of patterns optimized for cooking meat, fish, and vegetables
- Optional Argentinian-style V-grates with drippings trays
- Marine-grade stainless steel available

Ensure proper gas pipe sizing. Diameter and length of the supply pipe may limit the pressure and BTU delivery.

This appliance is certified to the ANS Z21.58/CSA 1.6 (2018) standard for Outdoor Cooking Gas Appliances. As with all appliances certified to this standard, this appliance is for outdoor use only and may not be used underneath an overhead combustible structure or surface.

Do not build the grill into a combustible enclosure. Maintain at least 36 inches (915 mm) of clearance between the sides and back of the grill and any combustible surface, or use an insulating surround available from Kalamazoo.

Do not place the grill in a location where it is likely to be exposed to a strong wind.

High altitude kit available.

WARNING: This product can expose you to chemicals including nickel, which are known to the State of California to cause cancer, and lead, which is known to the State of California to cause birth defects or other reproductive harm. For more information go to www.P65Warningsca.gov

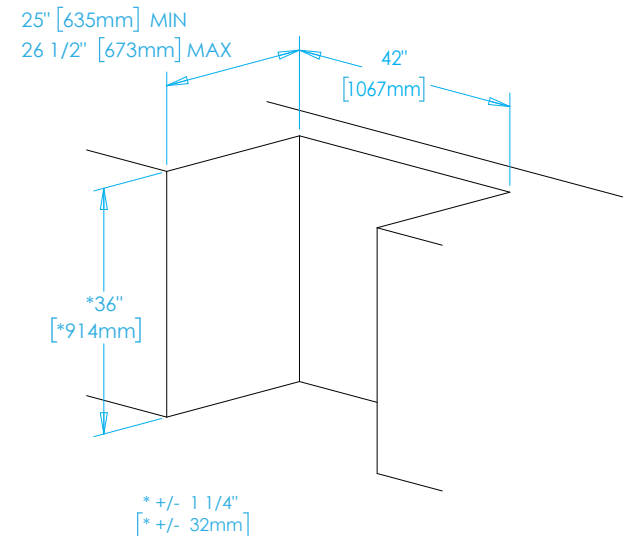
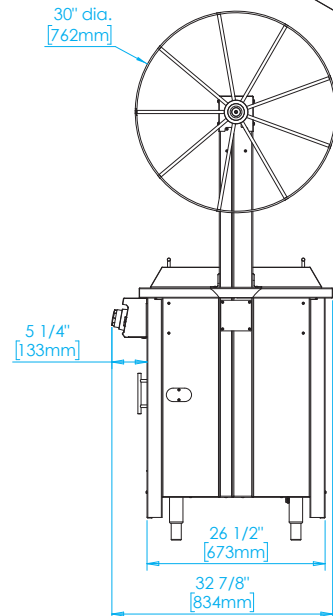
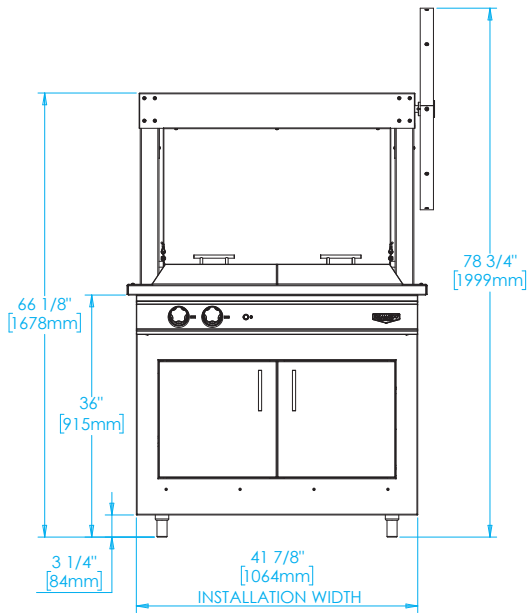
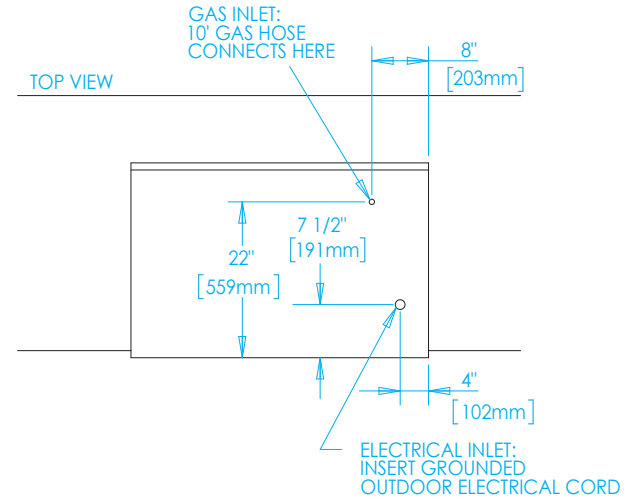
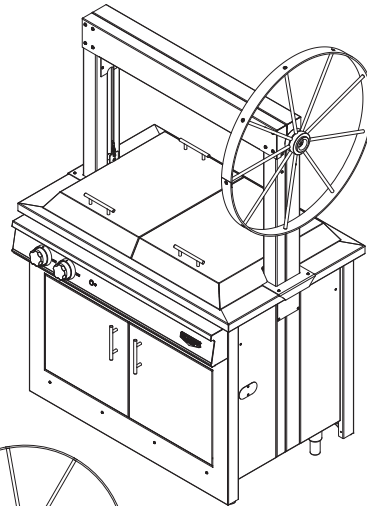
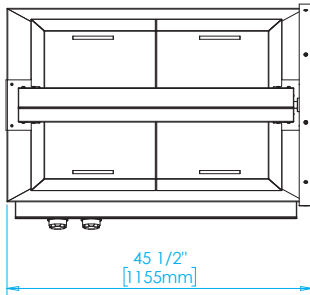


810 WEST WASHINGTON BOULEVARD
CHICAGO, IL 60607

8566 KRUM AVENUE
GALESBURG, MI 49053

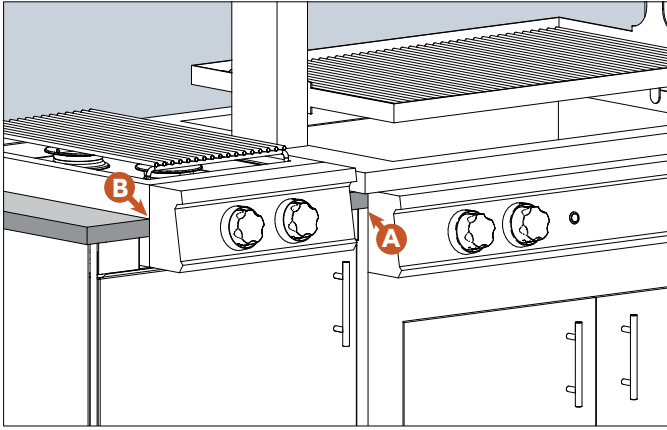
KALAMAZOOGOURMET.COM
+1.800.868.1699

K750GB Gaucho Built-In Grill





Notice for Countertop Fabricators



The countertop should be adhered directly to the tops of the cabinets using silicone adhesive. See detailed instructions in the cabinetry installation manual.

Undercounter appliances should NOT bear any countertop load and should not be adhered to the countertops.

A 1-inch overhang is recommended on all sides. The recommended position of the Kalamazoo Gaucho Grill aligns the front edge of the countertop with the back radius of the front face of the grill. **A**

The seam between the control panel and the body of the Kalamazoo cooktop **B** should be in front of the countertop.

The countertop should extend below the trim ledge of the grill. For Gaucho Grills and Hybrid Fire Grills, the grill height should be adjusted using the leveling legs so that the bottom of the trim ledge is 1/8 inch (3mm) above the finished countertop. **C** For drop-in grills in Kalamazoo base cabinets, the grill support pads should be adjusted to achieve the same gap. Drop-in grills that are not installed in Kalamazoo cabinetry may rest directly on the countertop.

A drip edge **D** is recommended around the perimeter of the countertop.

Undercounter refrigeration **E** should not bear the load of, or be adhered to the countertops.

IMPORTANT: The maximum recommended countertop thickness is 2 inches (51mm).

