



810 WEST WASHINGTON BOULEVARD  
CHICAGO, IL 60607

8566 KRUM AVENUE  
GALESBURG, MI 49053

KALAMAZOOGOURMET.COM  
+1.800.868.1699

# K-DBC54 Base Cabinet for K54DB Built-In Gas Grill

## PRODUCT FEATURES

- Provides storage below K54DB built-in gas grills
- Adjustable grill supports inside cabinet accommodate countertop thicknesses from 1 inch (26 mm) to 2.25 inches (57 mm)
- Pass-through holes for flexible gas hose and outdoor-rated extension cord
- Compatible with Kalamazoo Signature Series and Arcadia Series cabinetry and refrigeration for modular outdoor kitchen installations
- Available with louvered doors for suitable ventilation when used with a 20-pound liquid propane cylinder; includes tank bracket (K-DBC54-LVP only)
- Arcadia Series and Signature Series back finishing panels available for installations where the rear of cabinet is visible; use three Arcadia Series 18-inch panels or a single Signature Series 54-inch panel
- Front and rear toe kicks available
- Marine-grade stainless steel available

Overall Width / Installation Width	54 in (1372 mm) / 54 in (1372 mm)
Installation Depth	29.125 in (739 mm) MIN. without optional back finishing panels
Height (Below Counter)	34.25 in (829 mm) to 35.75 in (908 mm) with adjustable legs
Countertop Thickness Allowed	1 in (26 mm) MIN. to 2.25 in (57 mm) MAX.
Approximate Product Weight	185 lb (84 kg)
Gas Requirements	<b>Natural Gas:</b> 10 ft. (305 cm) gas hose from grill passes through bottom of cabinet.
	<b>Bulk Propane:</b> 10 ft. (305 cm) gas hose from grill passes through bottom of cabinet.
	<b>Propane Cylinder:</b> 20-pound (9 kg) propane cylinder can be used inside Kalamazoo base cabinet K-DBC54-LVP with louvered doors for proper ventilation. Do not use a cylinder inside K-DBC54-BLK with solid doors.



K-DBC54-LVP



K-DBC54-BLK

**WARNING:** This product can expose you to chemicals including nickel, which are known to the State of California to cause cancer, and lead, which is known to the State of California to cause birth defects or other reproductive harm. For more information go to [www.P65Warningsca.gov](http://www.P65Warningsca.gov)

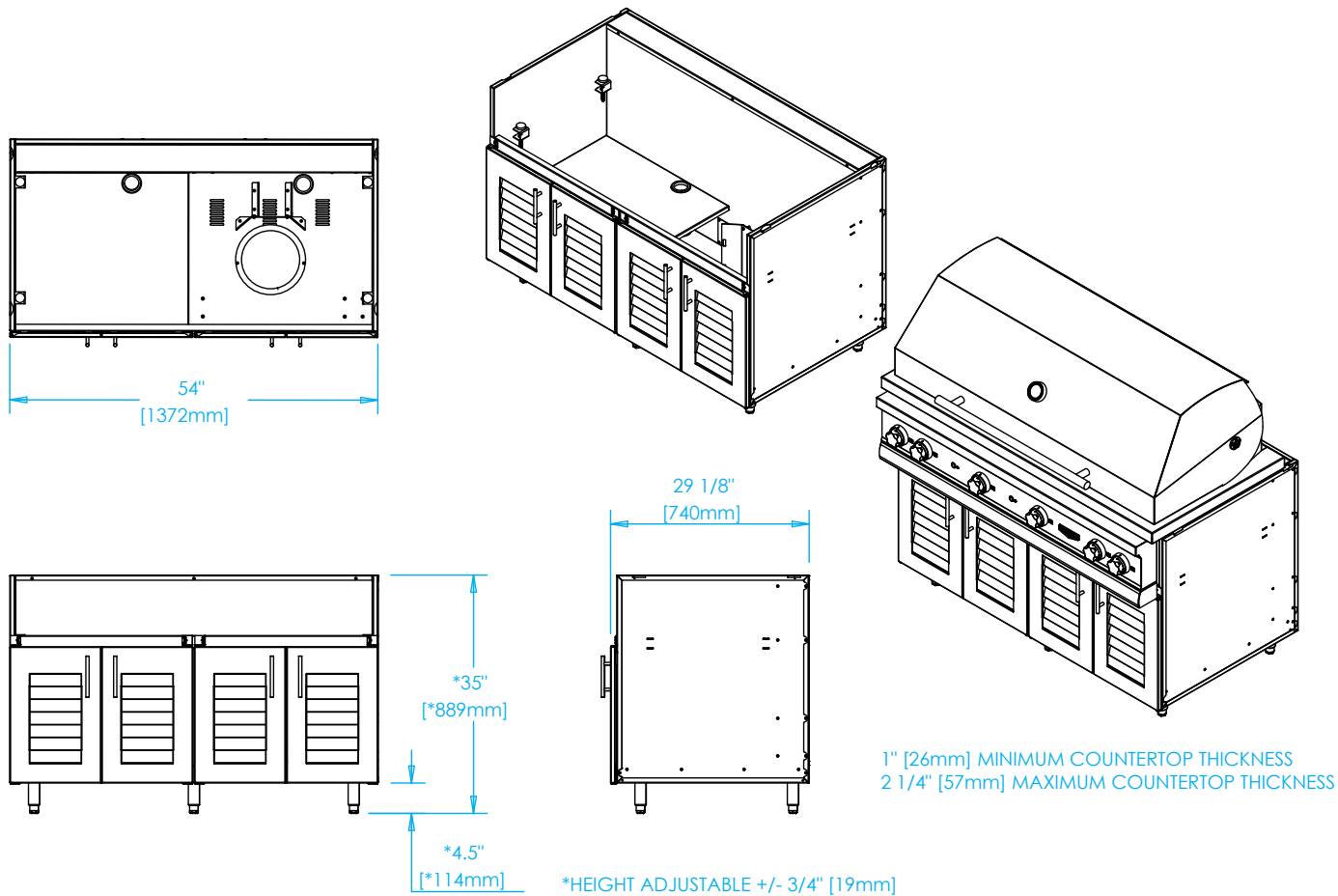


810 WEST WASHINGTON BOULEVARD  
CHICAGO, IL 60607

8566 KRUM AVENUE  
GALESBURG, MI 49053

KALAMAZOOGOURMET.COM  
+1.800.868.1699

## K-DBC54-LVP Base Cabinet for K54DB Built-In Gas Grill with LP Cylinder





810 WEST WASHINGTON BOULEVARD  
CHICAGO, IL 60607

8566 KRUM AVENUE  
GALESBURG, MI 49053

KALAMAZOOGOURMET.COM  
+1.800.868.1699

## K-DBC54-BLK Base Cabinet for K54DB Built-In Gas Grill with Bulk Gas Connection

