

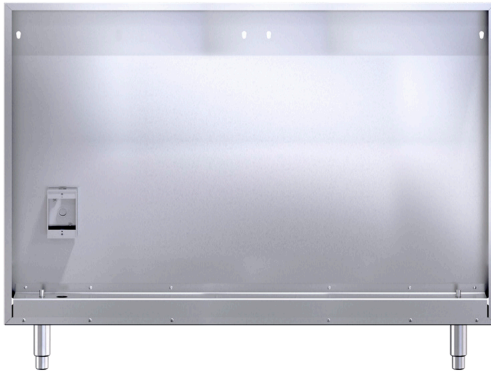


810 WEST WASHINGTON BOULEVARD
CHICAGO, IL 60607

8566 KRUM AVENUE
GALESBURG, MI 49053

KALAMAZOOGOURMET.COM
+1.800.868.1699

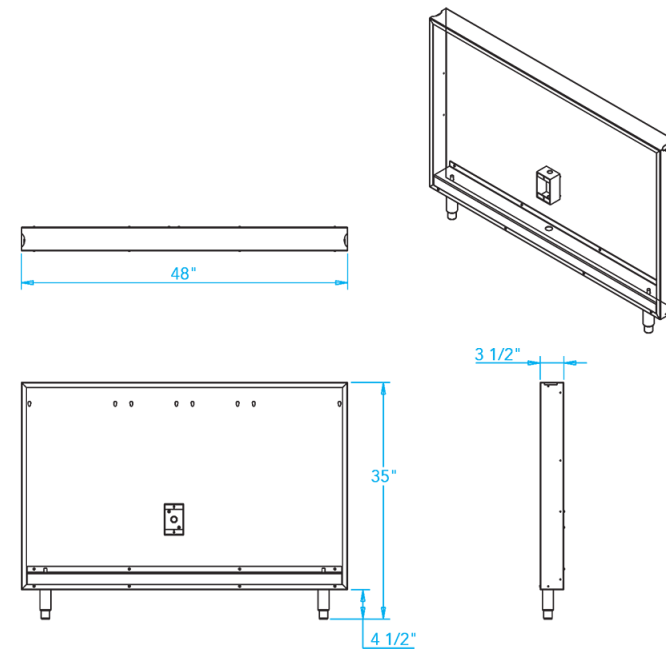
Arcadia 48-inch Appliance Back Panel



Overall Width / Installation Width	48 in (1219.2 mm) / 48 in (1219.2 mm)
Overall Depth / Installation Depth	3 ½ in (88.9 mm) / 3 ½ in (88.9 mm)
Overall Height / Counter Height	35 in (889 mm) / 35 in (889 mm) +/- ¾ in (19.05 mm)
Approximate Product Weight	200 lb (90.72 kg)

PRODUCT FEATURES

- Hand-crafted from the highest quality stainless steel
- Designed for use behind Kalamazoo Appliances
- Stainless steel leveling legs for easy installation
- Arrives fully assembled and ready to install
- Available in marine-grade stainless steel
- Hand-crafted with pride in Kalamazoo, Michigan



* HEIGHT ADJUSTABLE +/- 3/4 in (19.05mm)

WARNING: This product can expose you to chemicals including nickel, which are known to the State of California to cause cancer, and lead, which is known to the State of California to cause birth defects or other reproductive harm. For more information go to www.P65Warningsca.gov