



810 WEST WASHINGTON BOULEVARD
CHICAGO, IL 60607

8566 KRUM AVENUE
GALESBURG, MI 49053

KALAMAZOOGOURMET.COM
+1.800.868.1699

Signature 24" Double Burner Cooktop Base Cabinet



Overall Width / Installation Width	24 in (609.6 mm) / 24 in (609.6 mm)
Overall Depth / Installation Depth	30 in (762 mm) / 30 in (762 mm)
Overall Height / Counter Height	34 ¾ in (882.65 mm) / 34 ¾ in (882.65 mm) +/- ¾ in (19.05 mm)
Approximate Product Weight	215 lb (97.5 kg)
Gas Requirements	Natural Gas: 3/8" (10 mm) male NPT connection. 12 ft. (366 cm) gas hose with external regulator and quick disconnect provided. Gas service line to deliver 7 i.w.c. at grill location. See BTU information below for pipe sizing.
	Bulk Propane: 3/8" (10 mm) male NPT connection. 12 ft. (366 cm) gas hose with external regulator and quick disconnect provided. Gas service line to deliver 11 i.w.c. at grill location. See BTU information below for pipe sizing.
	Propane Cylinder: Not available
Electrical Requirements	1.5V "AAA" battery x 1
Total BTUs	38,000 BTU propane / 33,000 BTU NG

PRODUCT FEATURES

- 24-inch stainless steel storage cabinet designed to accommodate Kalamazoo Built-in Cooktops
- Weather-tight design keeps cabinet contents clean and dry
- Available in left- or right-hinge configuration
- Includes all stainless steel hardware, including drawer glides
- Full-extension shelf inserts available
- Stainless steel leveling legs for easy installation
- Arrives fully assembled and ready to install
- Built from heavy-gauge 304 stainless steel
- Available in marine-grade stainless steel
- Handcrafted with pride in Kalamazoo, Michigan

Ensure proper gas pipe sizing. Diameter and length of the supply pipe may limit the pressure and BTU delivery.

For outdoor use only. Maintain at least 9 inches (229 mm) of clearance around the sides and back of cooktop.

Never place cooktop underneath an overhead combustible surface. For installation in built-in enclosure constructed of non-combustible materials. Do not place cooktop in a location where it is likely to be exposed to a strong wind.

High altitude kit available.

WARNING: This product can expose you to chemicals including nickel, which are known to the State of California to cause cancer, and lead, which is known to the State of California to cause birth defects or other reproductive harm. For more information go to www.P65Warningsca.gov

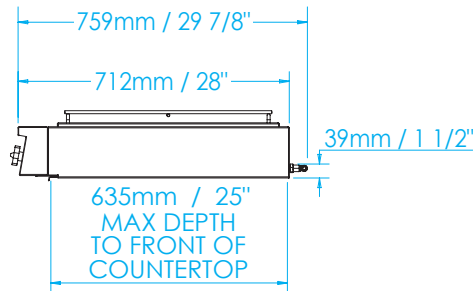
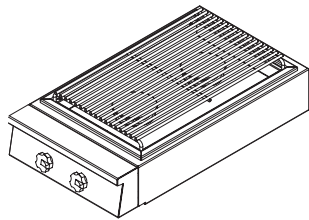
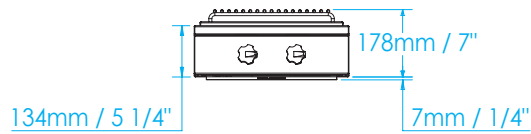
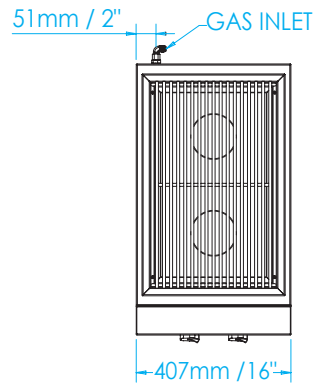


810 WEST WASHINGTON BOULEVARD
CHICAGO, IL 60607

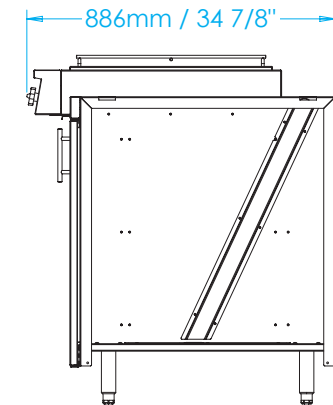
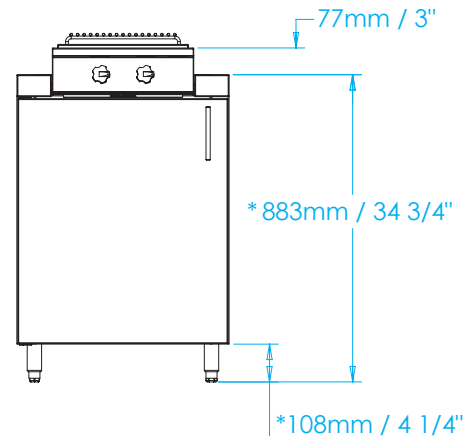
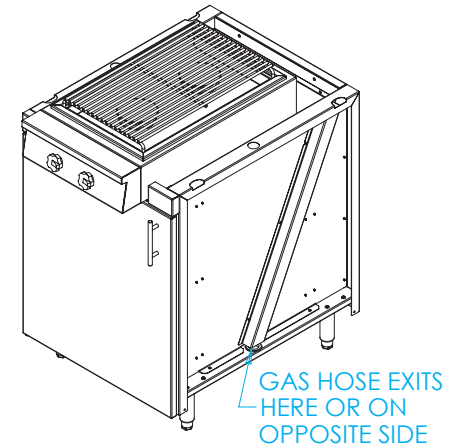
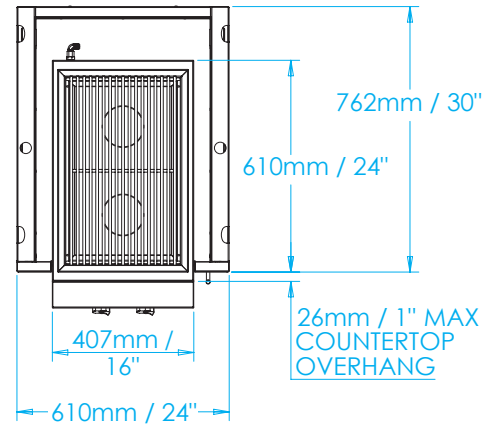
8566 KRUM AVENUE
GALESBURG, MI 49053

KALAMAZOOGOURMET.COM
+1.800.868.1699

K-CKTPD2-BI Built-in Double Cooktop



SHOWN WITH OPTIONAL CABINET



* HEIGHT ADJUSTABLE +/- 3/4 in (19.05mm)
LEFT-HINGE MODEL SHOWN