



810 WEST WASHINGTON BOULEVARD
CHICAGO, IL 60607

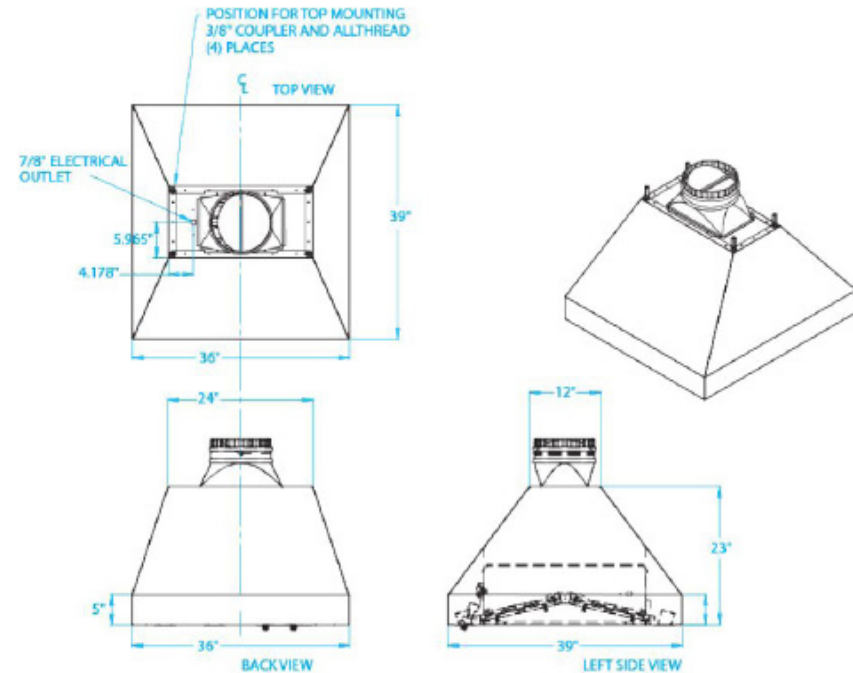
8566 KRUM AVENUE
GALESBURG, MI 49053

KALAMAZOOGOURMET.COM
+1.800.868.1699

36-Inch Island Mounted Ventilation Hood



Overall Width / Installation Width	36 in (914.4 mm) / 36 in (914.4 mm)
Overall Depth / Installation Depth	39 in (990.6 mm) / 39 in (990.6 mm)
Overall Height	23 in (584.2 mm)
Approximate Product Weight	300 lb (136.08 kg)



PRODUCT FEATURES

- 3-speed fan control (fan not included)
- 1,400 CFM roof-mounted fan (recommended for reduced noise levels in the outdoor kitchen)
- 1,200 CFM in-hood fan
- Built-in halogen lighting with two illumination levels — one for comfortable after-dark cooking (50 watts) and a second ambient light setting (25 watts)
- Extends 6 inches beyond cooking surface of the grill in each direction
- Hangs from ceiling
- Custom-height stainless steel chimney covers can be custom built to meet project specifications
- Easy to clean stainless steel baffle filters will last a lifetime
- Built from heavy-gauge 304 stainless steel
- Handcrafted with pride in Kalamazoo, Michigan
- Connects to 10-inch duct (duct not included, top-vent only)

WARNING: This product can expose you to chemicals including nickel, which are known to the State of California to cause cancer, and lead, which is known to the State of California to cause birth defects or other reproductive harm. For more information go to www.P65Warningsca.gov



810 WEST WASHINGTON BOULEVARD
CHICAGO, IL 60607

8566 KRUM AVENUE
GALESBURG, MI 49053

KALAMAZOOGOURMET.COM
+1.800.868.1699

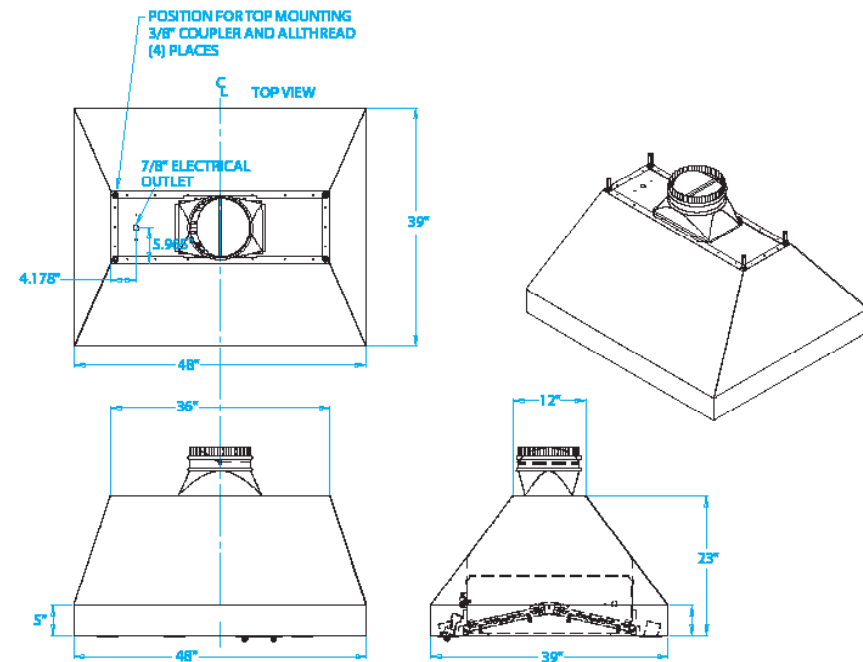
48-Inch Island Mounted Ventilation Hood



Overall Width / Installation Width	48 in (1219.2 mm) / 48 in (1219.2 mm)
Overall Depth / Installation Depth	39 in (990.6 mm) / 39 in (990.6 mm)
Overall Height	23 in (584.2 mm)
Approximate Product Weight	330 lb (149.69 kg)

PRODUCT FEATURES

- 3-speed fan control (fan not included)
- 1,400 CFM roof-mounted fan (recommended for reduced noise levels in the outdoor kitchen)
- 1,200 CFM in-hood fan
- Built-in halogen lighting with two illumination levels — one for comfortable after-dark cooking (50 watts) and a second ambient light setting (25 watts)
- Extends 6 inches beyond cooking surface of the grill in each direction
- Hangs from ceiling
- Custom-height stainless steel chimney covers can be custom built to meet project specifications
- Easy to clean stainless steel baffle filters will last a lifetime
- Built from heavy-gauge 304 stainless steel
- Handcrafted with pride in Kalamazoo, Michigan
- Connects to 10-inch duct (duct not included, top-vent only)



WARNING: This product can expose you to chemicals including nickel, which are known to the State of California to cause cancer, and lead, which is known to the State of California to cause birth defects or other reproductive harm. For more information go to www.P65Warningsca.gov



810 WEST WASHINGTON BOULEVARD
CHICAGO, IL 60607

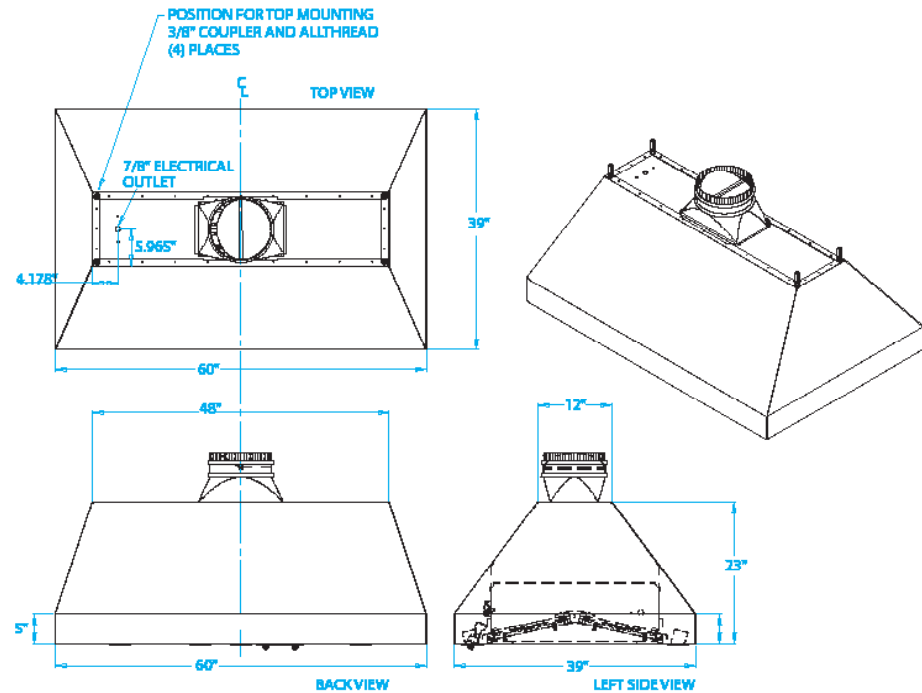
8566 KRUM AVENUE
GALESBURG, MI 49053

KALAMAZOOGOURMET.COM
+1.800.868.1699

60-Inch Island Mounted Ventilation Hood



Overall Width / Installation Width	60 in (1524 mm) / 60 in (1524 mm)
Overall Depth / Installation Depth	39 in (990.6 mm) / 39 in (990.6 mm)
Overall Height	23 in (584.2 mm)
Approximate Product Weight	350 lb (158.76 kg)



PRODUCT FEATURES

- 3-speed fan control (fan not included)
- 1,400 CFM roof-mounted fan (recommended for reduced noise levels in the outdoor kitchen)
- 1,200 CFM in-hood fan
- Built-in halogen lighting with two illumination levels — one for comfortable after-dark cooking (50 watts) and a second ambient light setting (25 watts)
- Extends 6 inches beyond cooking surface of the grill in each direction
- Hangs from ceiling
- Custom-height stainless steel chimney covers can be custom built to meet project specifications
- Easy to clean stainless steel baffle filters will last a lifetime
- Built from heavy-gauge 304 stainless steel
- Handcrafted with pride in Kalamazoo, Michigan
- Connects to 10-inch duct (duct not included, top-vent only)

WARNING: This product can expose you to chemicals including nickel, which are known to the State of California to cause cancer, and lead, which is known to the State of California to cause birth defects or other reproductive harm. For more information go to www.P65Warningsca.gov