



810 WEST WASHINGTON BOULEVARD
CHICAGO, IL 60607

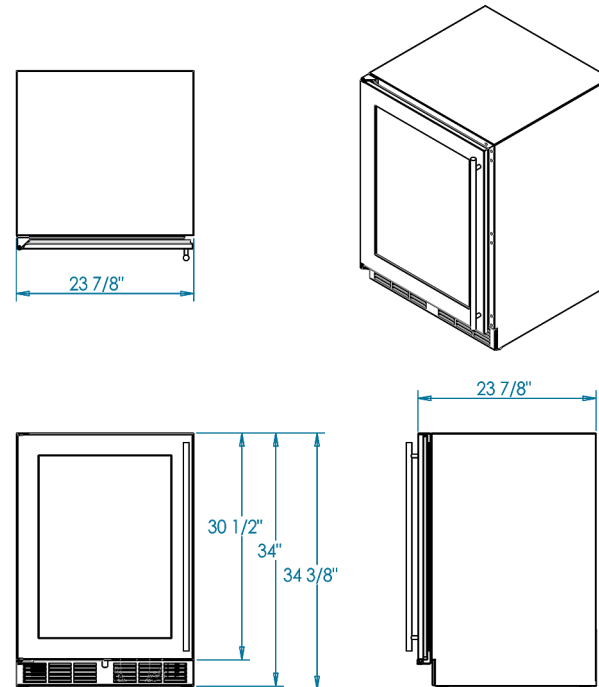
8566 KRUM AVENUE
GALESBURG, MI 49053

KALAMAZOOGOURMET.COM
+1.800.868.1699

Signature 24-inch Outdoor Wine Chiller



Overall Width / Installation Width	23 7/8 in (584.2 mm) / 23 7/8 in (584.2 mm)
Overall Depth / Installation Depth	23 7/8 in (606.42 mm) / 23 7/8 in (606.42 mm)
Overall Height / Counter Height	34 3/8 in (873.13 mm) / 34 3/8 in (873.13 mm)
Approximate Product Weight	215 lb (97.5 kg)



LEFT-HINGE MODEL SHOWN

PRODUCT FEATURES

- Energy Star® qualified
- Forced air cooling for rapid cooldown and even temperature distribution
- Stores up to 40 bottles of wine, plus more storage below
- Commercial-grade stainless steel interior
- Vinyl-coated full-extension shelving, complete with guard rails glide out beyond the cabinet for easy access to contents
- Glass door offers full UV protection
- Two-inch thick walls provide superior insulation and minimize vibrations
- Variable speed compressors for optimum balance of energy efficiency and cooling power
- UL-approved for outdoor use
- Crafted from highly durable 304 stainless steel
- Marine-grade stainless steel available

WARNING: This product can expose you to chemicals including nickel, which are known to the State of California to cause cancer, and lead, which is known to the State of California to cause birth defects or other reproductive harm. For more information go to www.P65Warningsca.gov