



810 WEST WASHINGTON BOULEVARD
CHICAGO, IL 60607

8566 KRUM AVENUE
GALESBURG, MI 49053

KALAMAZOOGOURMET.COM
+1.800.868.1699

K750HB Hybrid Fire Built-In Grill



PRODUCT FEATURES

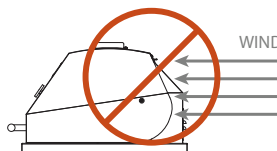
- 33" x 22" (726 square inches) of primary grilling surface
- Three cast bronze burners, 25,000 BTUs each
- Natural gas or bulk propane
- Ignition burner with electronic hot surface ignition
- Rotisserie system with infrared burner; motor mounted in cabinet
- Ambient control panel lighting
- Flip-up warming rack
- Kalamazoo's Advanced Cooking Concept with Deep hopper cleaning
- Single Hybrid Fire Grilling System Drawer
- Stainless steel leveling legs (shown with optional toe kick)
- Standard heavy duty stainless steel rod grilling surfaces
- Optional laser-cut grilling surfaces available with your choice of patterns optimized for cooking meat, fish, and vegetables
- Marine-grade stainless steel available

Overall Width / Installation Width	39.38 in (1000 mm) / 38 in (966 mm)
Overall Depth / Installation Depth	32 in (814mm) / 26.50 in (674 mm)
Overall Height / Counter Height	54.63 in (1388 mm) / 36 in (915 mm) +/- 1 ¼ in (33 mm)
Approximate Product Weight	420 lb (191 kg)
Gas Requirements	Natural Gas: 1/2" (13 mm) male NPT connection. 10 ft. (305 cm) gas hose with quick disconnect provided. Gas service line to deliver 7 i.w.c. at grill location. See BTU information below for pipe sizing.
	Bulk Propane: 1/2" (13 mm) male NPT connection. 10 ft. (305 cm) gas hose with quick disconnect provided. Gas service line to deliver 11 i.w.c. at grill location. See BTU information below for pipe sizing.
	Propane Cylinder: Not available
Electrical Requirements	120VAC/60Hz Includes 1 ft. (30.5 cm) 3-prong grounded power cord.
Maximum AMP usage	3 amps
Main Burners Rating	72,750 BTU propane / 82,500 BTU NG
Total BTUs	98,100 BTU propane / 107,150 BTU NG

Ensure proper gas pipe sizing. Diameter and length of the supply pipe may limit the pressure and BTU delivery.

For outdoor use only. Do not build the grill into a combustible enclosure. Maintain at least 6 inches (153 mm) of clearance between the sides and back of the grill and any combustible surface, or use an insulating surround available from Kalamazoo. Never place the grill underneath an overhead combustible structure or surface. Do not place the grill in a location where the rear hood openings are likely to be exposed to a strong wind.

High altitude kit available.



Do not place the grill in a location where the rear hood openings are likely to be exposed to strong wind. A wind break wall is recommended for installations where the prevailing wind may be a problem.

WARNING: This product can expose you to chemicals including nickel, which are known to the State of California to cause cancer, and lead, which is known to the State of California to cause birth defects or other reproductive harm. For more information go to www.P65Warningsca.gov

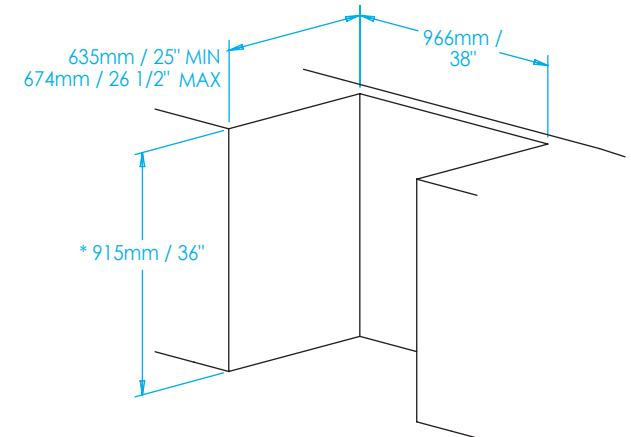
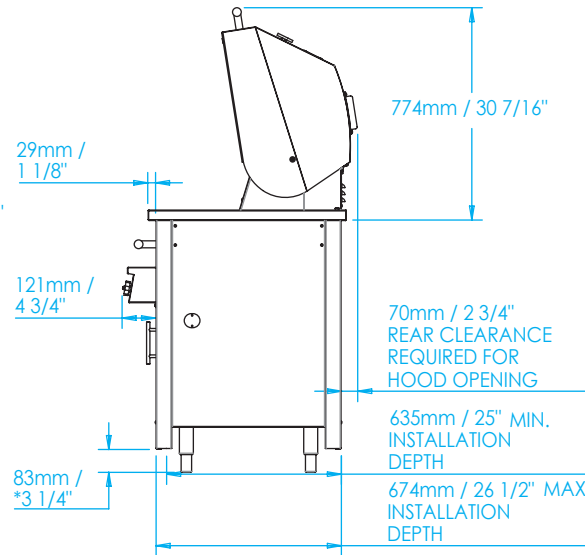
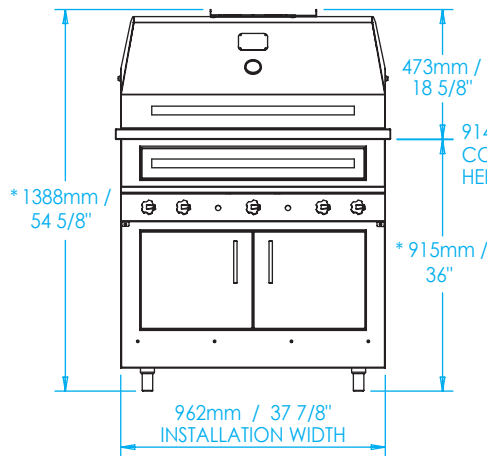
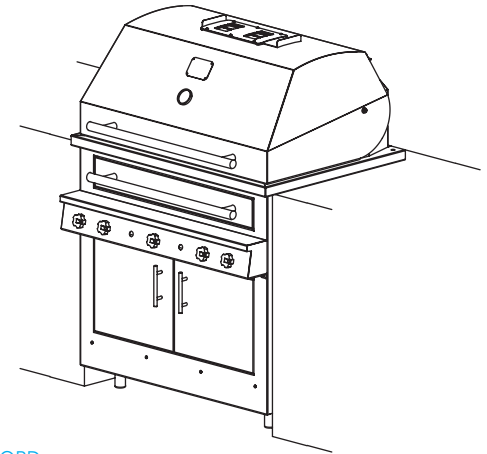
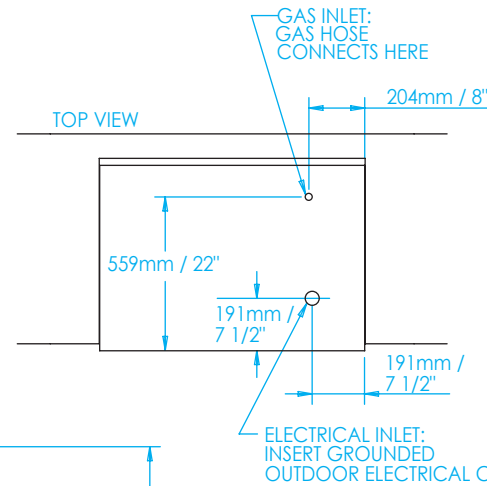
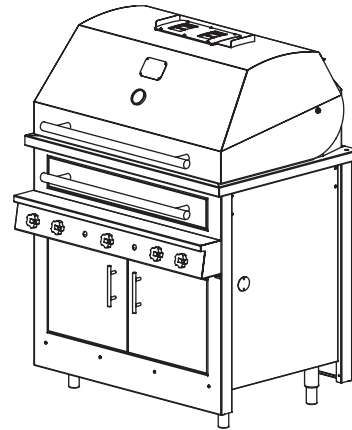
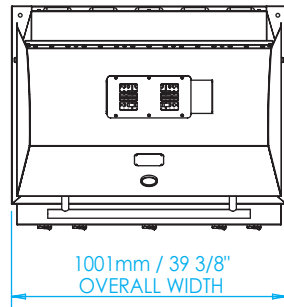


810 WEST WASHINGTON BOULEVARD
CHICAGO, IL 60607

8566 KRUM AVENUE
GALESBURG, MI 49053

KALAMAZOOGOURMET.COM
+1.800.868.1699

K750HB Hybrid Fire Built-In Grill



* HEIGHT ADJUSTABLE +/- 32mm / 1 1/4"